



600 x 40 x 80 mm



1,88 kg



Steel / HDG

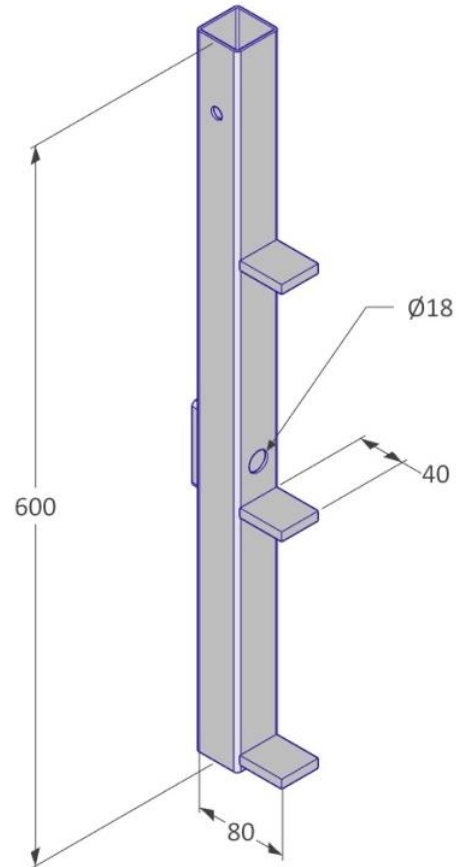
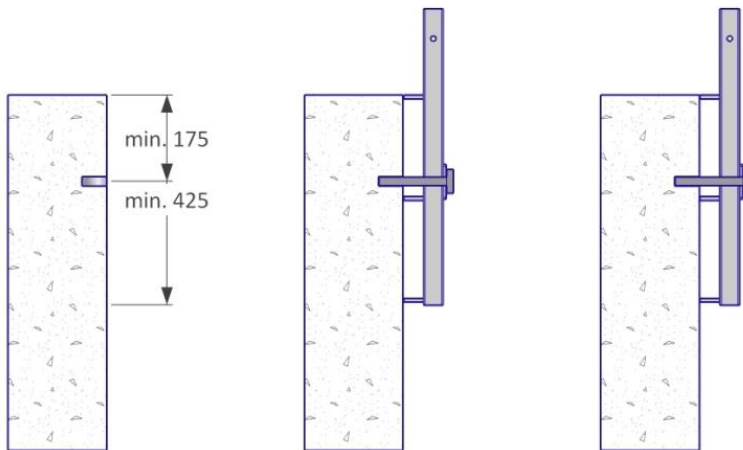


EN 13374, class A

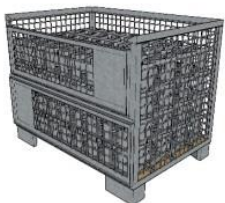
Description

The VT Frontfix is installed vertically and serves both as a fastening for the edge protection and as a stop – end for the edge formwork

A single fixation point offers a wide range of applications and fastening options, for example via threaded rod or anchor.



mm



400 pcs / Eurobox



1240 x 835 x 970 mm



822 kg

Means of Fixation

DW15-thread and threaded nut
Assembly torque limit min. 60 Nm

General Safety

Health and Safety Regulation should be followed at all times. For more information → viva-tec.com/safety