

ITEM NO 5030240/5030425






VT Post Extension 240/425

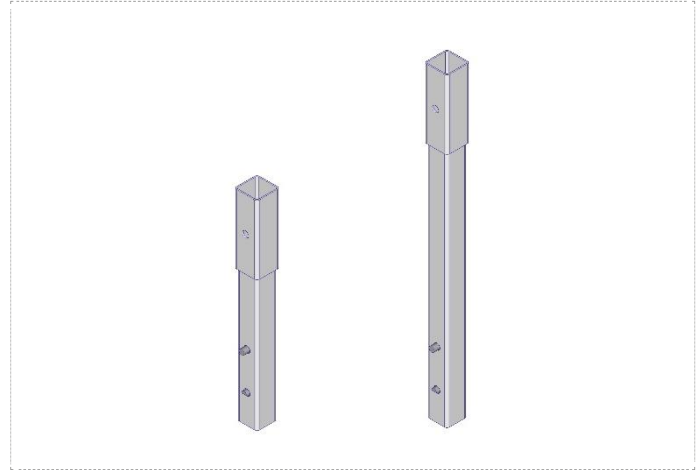
Square system




VT Pfostenverlängerung 240/425 | VT Extension de poteau 240/425 |

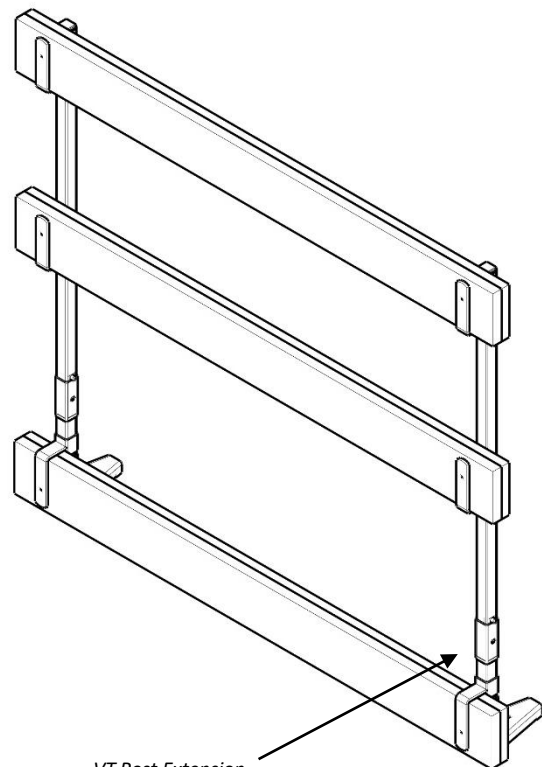
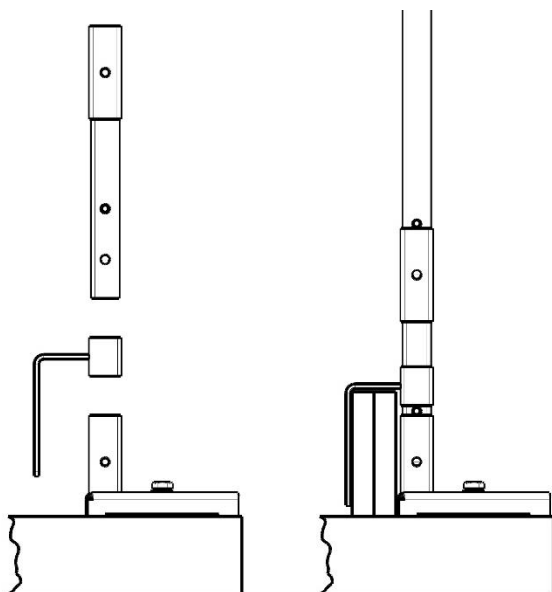
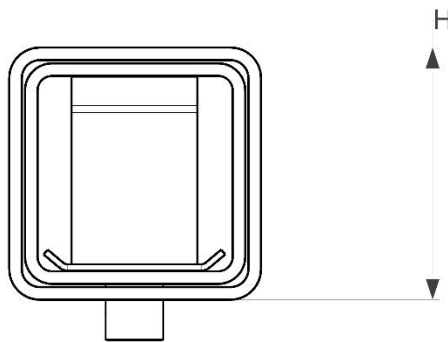
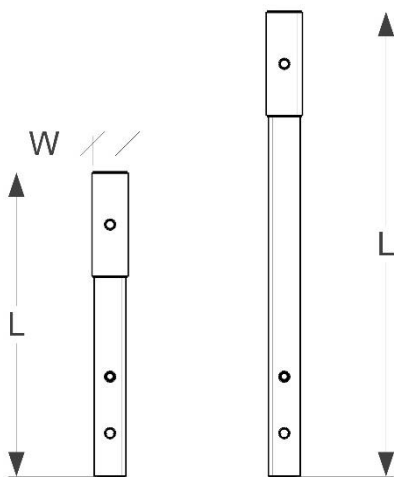
Vierkantsystem | Système carré | Vierkant systeem

VT Staander verlengstuk 240/425

-  L: 350/535 mm
-  W: 40/40 mm
-  H: 40/40 mm
-  0,8/1,1 kg
-  Steel + Zn (hot dip galvanized)



-  1,24 × 0,84 × 0,97 m
-  480/630 kg
-  500/500 pcs



VT Post Extension