



195 x 130 mm



1,13 kg



Steel / HDG

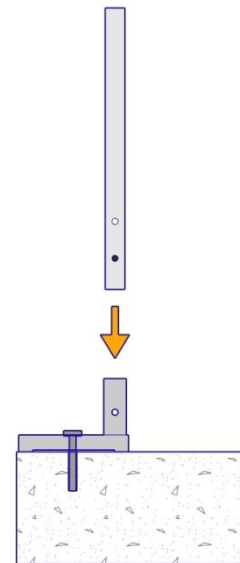
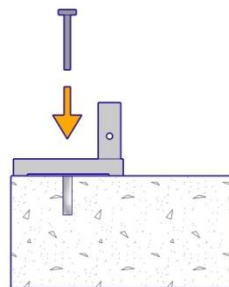
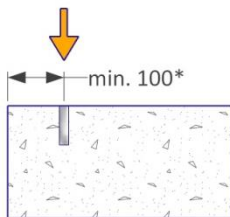


EN 13374, class A

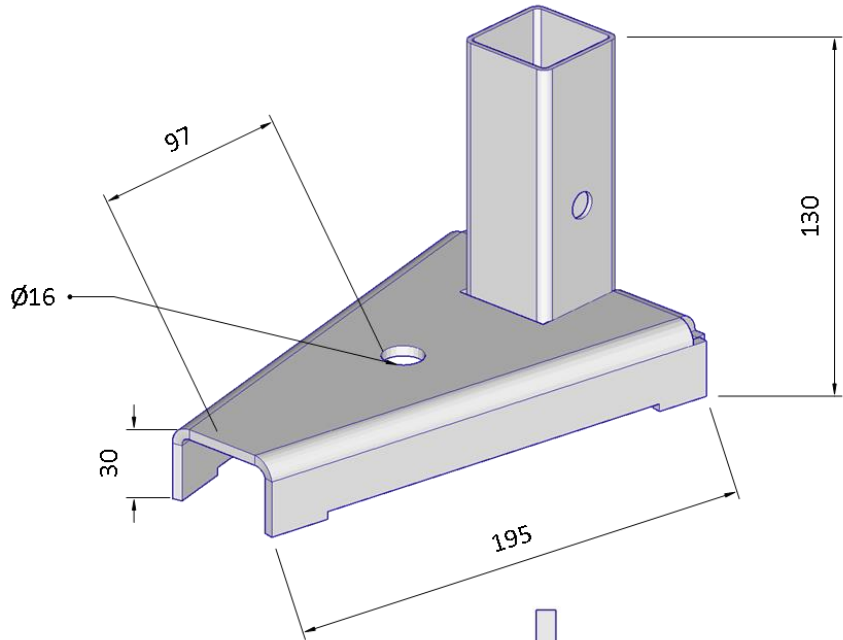
Description

The VT Foot round is applicable for assembly to all flat levels, ideally on slab edges. Its four supporting points at the bottom side of the foot allow a very fast and simple assembly.

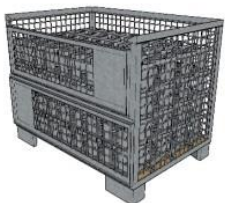
Due to its design the VT Foot round is both long-lasting and applicatory in handling. It can be fastened to concrete and brickwork by means of different screws and plugs.



mm



*may differ, please see charts of the respective screw manufacturer



250 pcs / Eurobox



1240 x 835 x 970 mm



353 kg

Means of Fixation

Tensile load of the screws min. 10 kN
→ Hilti HUS3-H10 L-130mm or the like / better, assembly torque limit min. 60 Nm

General Safety

Health and Safety Regulation should be followed at all times. For more information → viva-tec.com/safety