



805 x 240 x 100 mm



5,73 kg



Steel / HDG



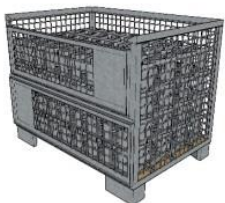
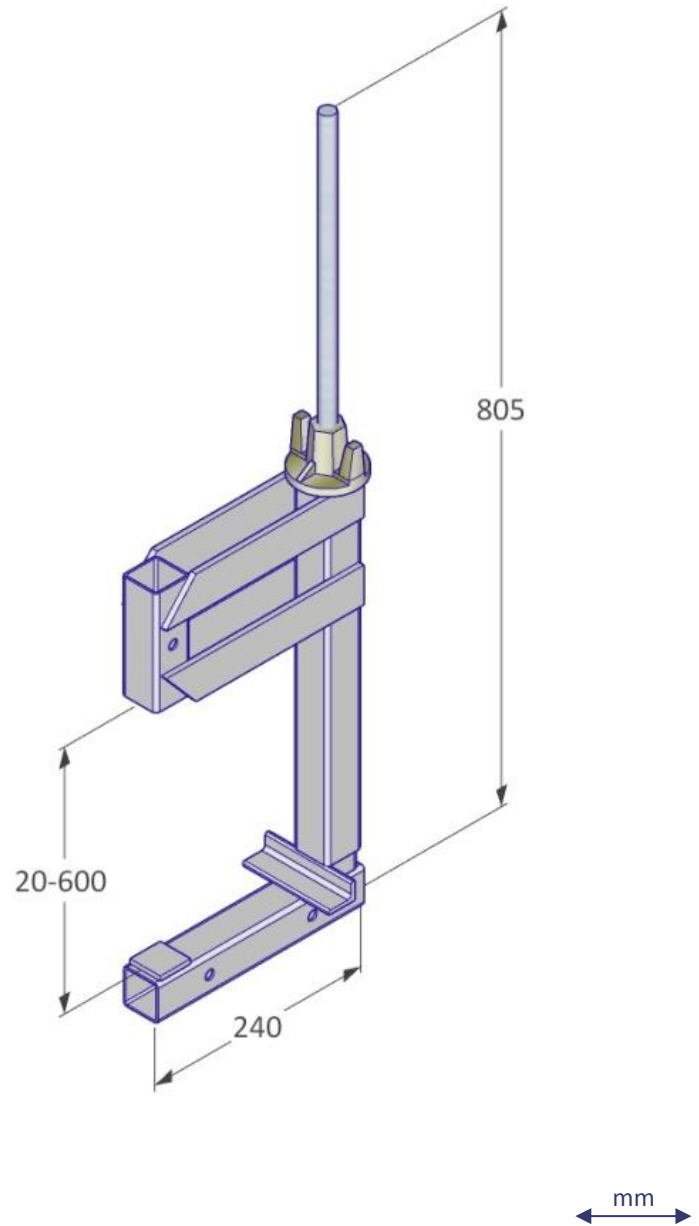
EN 13374, class A

Description

The VT Clamp XL 60 is versatile and extremely robust. This clamp enables clamping widths from 20 mm to 600 mm and offers three options for attaching the post. The welded-on DW15 thread makes a quick fixation with a hammer possible.

The movable runner of the clamp can be rotated depending on the slab or wall thickness, which increases the clamping area.

The VT Clamp XL 60 is used on slab edges as well as on walls and formwork panels and form a basis for standardized edge protection.



75 pcs / Eurobox



1240 x 835 x 970 mm



500 kg

Means of Fixation

DW15-thread and threaded nut
Assembly torque limit min. 60 Nm

General Safety

Health and Safety Regulation should be followed at all times. For more information → viva-tec.com/safety



805 x 240 x 100 mm



5,73 kg

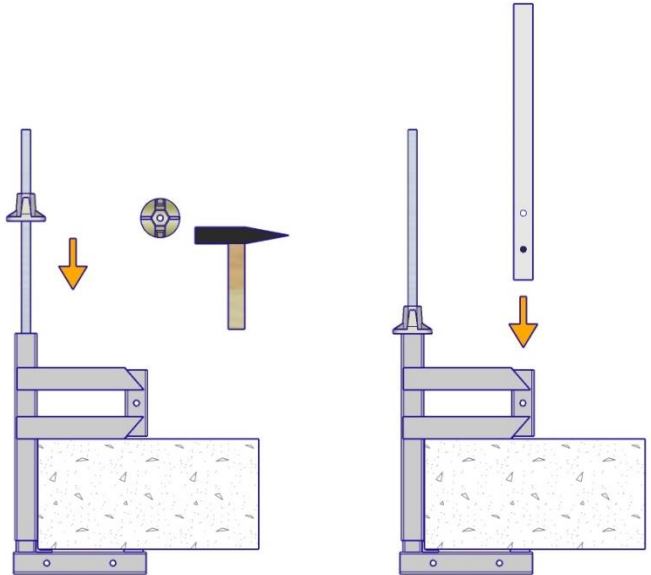


Steel / HDG

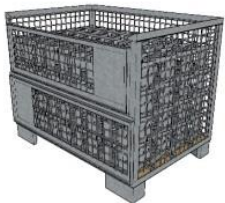
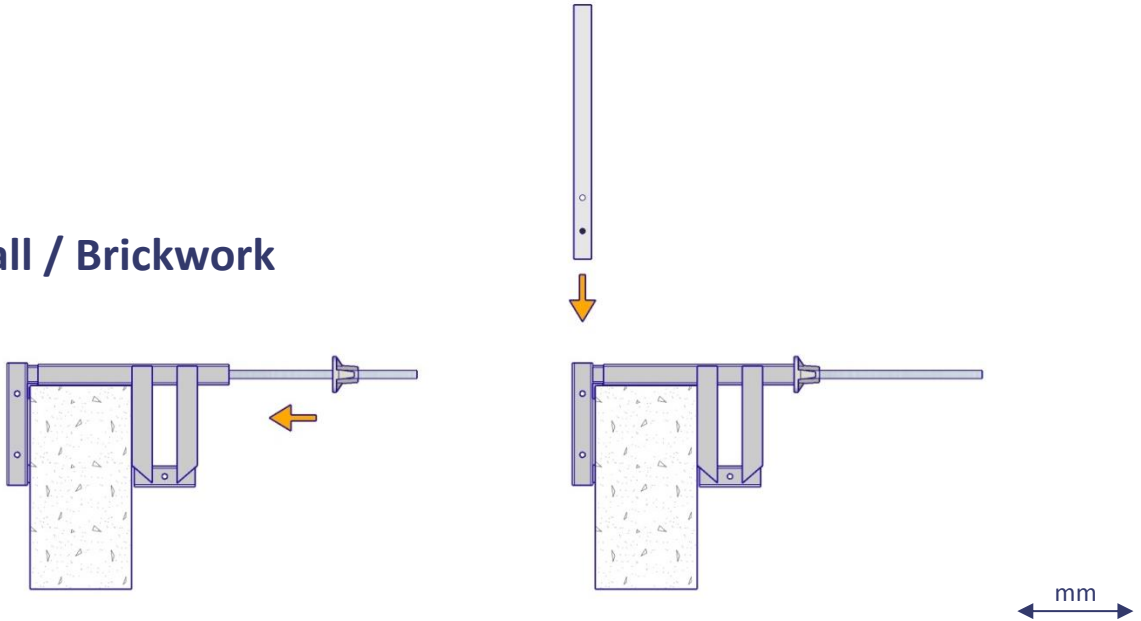


EN 13374, class A

1. Slab / Formwork Panel



2. Wall / Brickwork



75 pcs / Eurobox



1240 x 835 x 970 mm



500 kg

Means of Fixation

DW15-thread and threaded nut
Assembly torque limit min. 60 Nm

General Safety

Health and Safety Regulation should be followed at all times. For more information → viva-tec.com/safety