

SPHERICAL HEAD LIFTING ANCHOR SYSTEM

TECHNICAL PRODUCT INFORMATION



DEHA SPHERICAL HEAD LIFTING ANCHOR SYSTEM

KKT 16.2-E

CONCRETE

This catalogue is an installation and application instruction as defined in **VDI/BV-BS 6205**

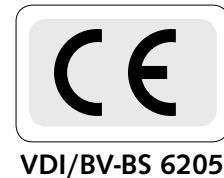


HALFEN
YOUR BEST CONNECTIONS

DEHA SPHERICAL HEAD LIFTING ANCHOR SYSTEM

Introduction

Certified quality from HALFEN – Connected to safety.



DEHA Spherical head anchors meet the requirements of the European machine guideline (MD) 2006/42/EC. The required steel load capacity for transport systems is defined in these guidelines.

To also ensure safe use of transport anchor systems with the required resistance values for cast-in anchors, HALFEN Transport anchor and transport anchor systems also meet the requirements of VDI/BV-BS regulation 6205.

HALFEN = dependable

- high ductility – high performance even in extreme situations
- increased dependable cold-toughness – same characteristics irrespective of environmental conditions
- quality control – safety in application



Specially tempered steel guarantees high elastic and plastic properties. The required unique steel composition to achieve product characteristics are specified by HALFEN. Numerous tests and many years of experience guarantee best possible results and highest confidence in all applications.

The regulation titled "Transport Anchor and Transport Anchor Systems for Precast Concrete Elements" represents up-to-date technological knowledge in this field.

HALFEN ensures a constant high standard of safety for its transport anchors and systems by complying with the requirements set in these regulations.

To confirm conformity with MD 2006/42/EC in conjunction with VDI/BV-BS 6205 all HALFEN Transport anchor systems are CE marked.



The special composition of the steel ensures constant identical characteristics (temperature independent).

Steel used by HALFEN exceeds the requirements of DIN EN 10025.

This catalogue is an installation and application instruction as defined in VDI/BV-BS 6205.

To guarantee a high level of safety all HALFEN Anchors and anchor systems are subjected to regular self and third-party quality control.

We guarantee continuous high quality and maximal safety for your company, your employees and for your customers. This quality is ensured by external controlling and confirmed with the CE mark.



By specifying products and material, continual raw material, product monitoring and testing by renown independent bodies and universities, our customers can be assured that the quality and properties of all HALFEN Anchors remain consistent.

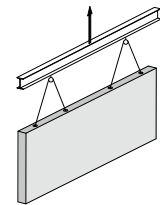
DEHA SPHERICAL HEAD LIFTING ANCHOR SYSTEM

Contents



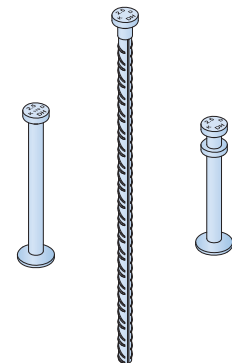
Introduction

-	Product information	2
-	HALFEN Quality	4
-	System overview	8
-	Installation and application	14-21
-	Design calculations	15



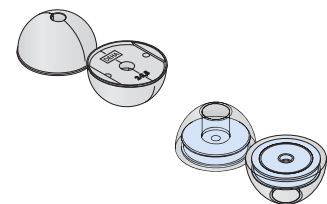
Transport anchor

-	Spherical head anchor for beams and walls	22
-	Spherical head anchor for slabs	28
-	Spherical head rod anchor	30
-	Offset spherical head rod anchor and spherical head anchor	32
-	Spherical head eye anchor	34
-	Double-headed transport anchor	35
-	DSM Quick fitting spherical head anchor	36
-	Spherical head pitching (tilting) anchor	38
-	Spherical head plate anchor	40



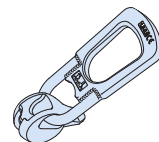
Recess formers - recess fillers and accessories

-	Installation	41
-	Recess formers (rubber and steel)	42
-	Recess fillers	46
-	Accessories	47



Lifting links

-	DEHA Universal head-link	49
---	--------------------------	----



DEHA Transport anchor systems

-	DEHA Transport anchor system for use in excavation projects	52
-	DEHA Transport anchor systems for use in tunnels	53
-	Further HALFEN products	55
-	Contacts	56



DEHA SPHERICAL HEAD LIFTING ANCHOR SYSTEM

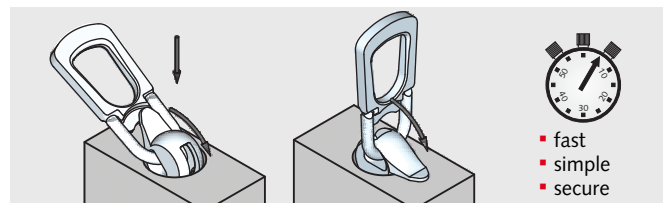
HALFEN Quality



The DEHA Spherical head transport anchor is a high quality and cost effective system for transporting all types of precast concrete elements. Application is possible for especially heavy precast elements with individual anchor loads up to load class 45,0.

Lifting and turning of heavy concrete pipes is made especially easy with the special turning and lifting link. A wide range of anchors and a selection of accessories allow almost any type of transport application.

The DEHA Spherical head lifting system guarantees simple, secure and fast connection and disconnection of lifting links and anchors.



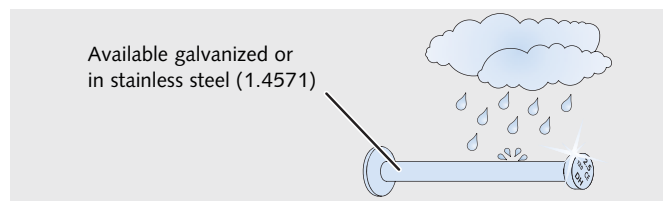
The only quick release lifting clutch capable of capacities from load class 1,3 to a maximum load class of 45,0 t.



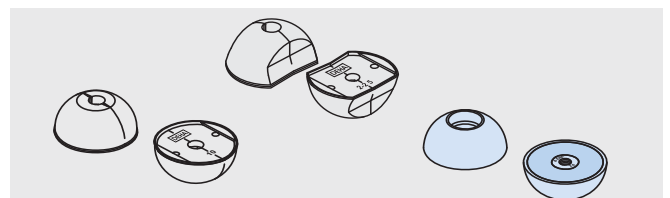
A wide selection of anchors in high killed-steel quality "special grade"; with an alloy composition specially designed for transport application in any environment.



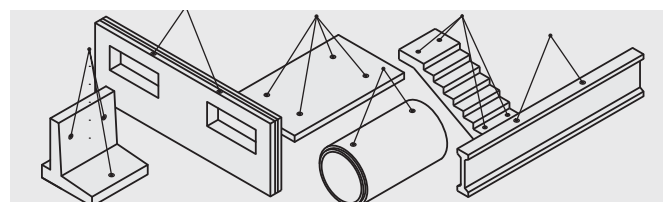
The DEHA Spherical head transport anchors are also available in zinc-galvanized and in stainless steel.



A large range of accessories especially for recess formers guarantees cost-effective use in all applications.



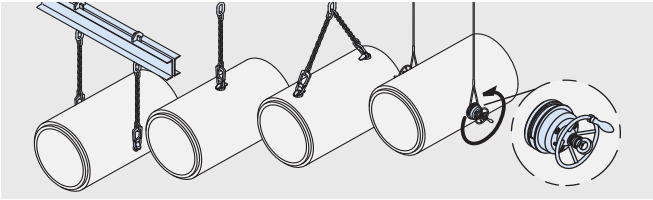
Suitable for lifting and transporting almost any shape and size of precast element in load class 1,3 up to 45,0.



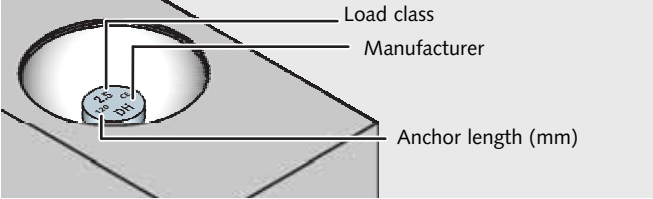
DEHA SPHERICAL HEAD LIFTING ANCHOR SYSTEM

HALFEN Quality

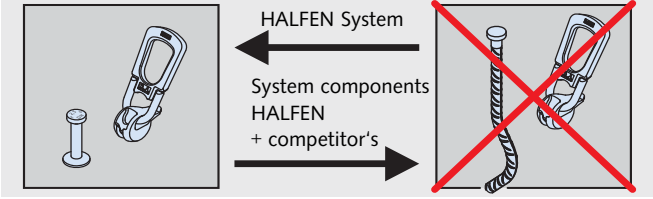
The ideal transport anchor for installation in concrete pipes; can also be used as a turning and lifting link.



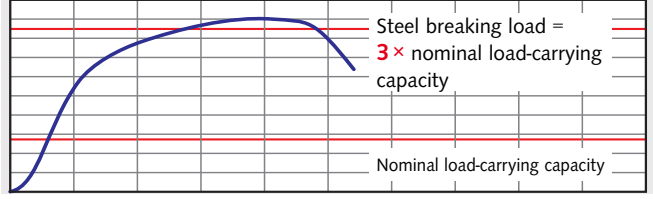
Mix-ups are avoided! All anchors are marked with the load class, the anchor length and the manufacturer's identification; all systems are easily and safely identified, even after installation.



Maximal safety is only assured when using system components from only one manufacturer.



All anchors are sufficiently dimensioned to four times the safety factor for steel failure.



Extensively certified quality system that monitors the complete production process; starting with incoming raw materials, monitoring at every stage of production and final check of the finished product.



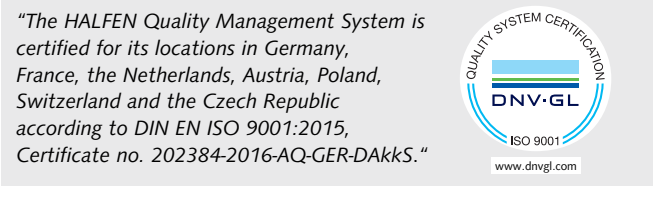
Extensive meticulous testing of every part of the system by independent certification bodies and universities.



All lifting links and anchors are CE marked.



All HALFEN production facilities are certified according to DIN EN ISO 9001.



Material procurement – but not at any price

All manufacturers endeavour to offer products at competitive prices by keeping production costs low, by strict cost management and by effective raw material procurement. To achieve this, products are often manufactured in low-wage countries as finished articles instead of local in-house production. Especially where safety is an issue, it soon becomes obvious that the cheap option is more often than not the more expensive option. This applies particularly when material defects mask a serious fault; this could be because the material composition cannot be properly traced or if a continual and monitored production process is in doubt.



Experience shows that a significant number of suppliers, many in so-called low-wage countries, are unable to provide sufficient evidence of acceptable quality controlled production.

However, unmonitored processes are a risk!

HALFEN source raw materials and finished products exclusively from suppliers who can verify and guarantee the stipulated performance and quality. In our experience there are currently no production locations in Asia that can provide transport anchor products to HALFEN quality standards. The HALFEN Management has therefore decided to only sell and distribute DEHA Spherical head anchors manufactured exclusively in HALFEN quality controlled facilities under the brand name DEHA.

The importance of quality steel for transport anchors

Transport anchors are used to lift and move heavy prefabricated concrete elements in precast plants and on construction sites.



Not the place for experiments

It is inevitable that elements sometimes need to be manoeuvred over critical areas and facilities. The failure of an anchor here can have devastating consequences. Even with correct calculation, deviant material quality can still constitute the critical weak spot. Anchors are subject to further stress especially from dynamic loads (shock factors). Impact strength and elongation at failure are both critical here. Selecting high quality raw material is therefore of the uppermost importance. Experience is also essential when forging the DEHA Spherical head anchor; incorrect temper can change the structure in the steel, reducing its load bearing capacity. The standard of quality for HALFEN Transport anchors is guaranteed by monitoring incoming raw materials, stringent quality controlled production and final product control; and of course the DIN EN ISO 9001 certified HALFEN Quality Management System.

HALFEN purchase raw materials exclusively from certified suppliers and manufacture transport anchors exclusively in HALFEN production facilities according to strict quality requirements.

HALFEN as supplier of high quality transport anchors helps you minimise your risk.

Summary

The correct metallurgical composition of the steel is the only guarantee of permanent quality e.g. when using anchors at low temperatures and for effects of dynamic shock.

Forging demands proper equipment and a particularly high level of skill to eliminate detrimental, structural changes in steel and to temper forged components effectively.

The accuracy of the forging tools itself is a critical factor; this ensures the transport anchors fit the lifting devices exactly, enabling the calculated loads to be lifted safely.

HALFEN Quality – from start to finish



Quality and safety are the ultimate targets in the production of original DEHA Spherical head anchors. The fundamental requirements for the production of any HALFEN product are quality and safety. Therefore all HALFEN production facilities are DIN EN ISO 9001 certified. On the one hand this involves continual inspection, machine maintenance and quality testing during the manufacturing process, and on the other hand it involves stringent quality control procedures of incoming raw materials right through to delivery of the finished product.



Quality always comes first for HALFEN products and is guaranteed



Spectral analysis equipment

during each step of production. Compliance of all spherical head anchors with national and European technical requirement has been tested and approved by the Materials Testing Office North Rhine-Westphalia (Materialprüfungsanstalt des Landes Nordrhein-Westfalen). All produced anchors are subject to stringent internal and external quality checks. The extent, type and frequency of production checks carried out by HALFEN is defined by independent supervisory bodies.

DEHA Spherical head anchors are made with strictly regulated raw material and originate exclusively from our own production facilities or HALFEN approved suppliers. All raw materials or finished goods are procured solely from resources that meet our stringent in-house material specifications. Our suppliers must be DIN EN ISO 9001 certified and must provide complete documentation on the required performance and quality. Therefore, our suppliers have to prove compliance with our material specifications with a 3.1 inspection certificate according to DIN EN 10204.

The inspection of incoming material is not limited to visual examination and dimensional checks. Every consignment is also chemically analysed to ensure the correct chemical content. Moreover, the required tensile strength values, yield stress and rupture points are tested.

Raw material is released for production only if all test results are satisfactory and comply with the provided 3.1-certification.

The anchors are continually checked during production for dimensional precision. The required frequency for measurement is set in our quality control procedures.



Dimensional inspection

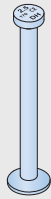




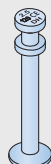
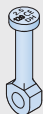
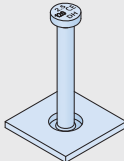

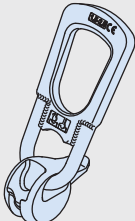
Each and every batch of anchors is quality checked; all anchors must prove a minimum safety factor against steel failure.

The HALFEN management ensures that the complete process chain, from the receipt of the raw material until final delivery of the finished products, is controllable and traceable. This ensures all HALFEN products are completely traceable; the required performance and quality is therefore guaranteed.

HALFEN understand the responsibility; we will continue to live up to our reputation as supplier of high quality products.

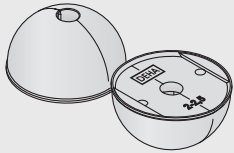
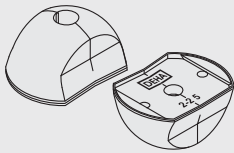
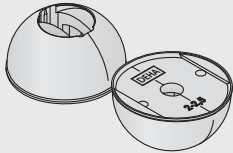
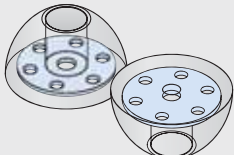
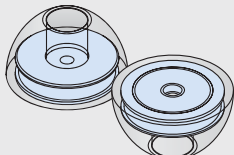
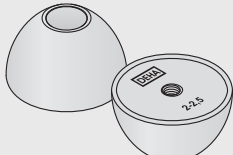
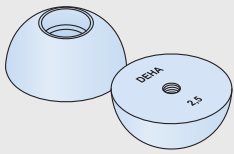
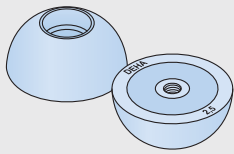
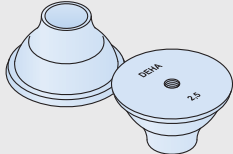
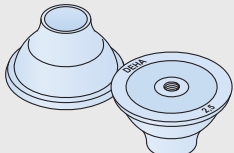
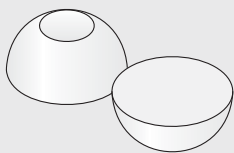
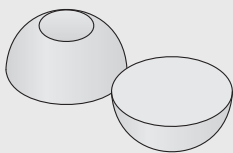
DEHA SPHERICAL HEAD LIFTING ANCHOR SYSTEM

System Overview

DEHA Spherical head anchors			
	Spherical head anchor 6000 Standard version	Spherical head rod anchor 6050 Standard version	Narrow foot spherical head anchor 6000 D
			
Applications	Columns, beams, slabs, walls, panels, pipes	Thin walls, prefabricated brick-faced walls	Prestressed beams with minimal thickness
Features	Element thickness, concrete compressive strength, reinforcement	Element thickness, concrete compressive strength, reinforcement	Element thickness, concrete compressive strength, reinforcement
Load class	1,3 – 45,0	2,5 – 15,0	10,0 – 32,0
	Offset spherical head anchor 6002	Offset spherical rod anchor 6052	DSM Quick fitting spherical head anchor 6073
			
Applications	Sandwich panels	Thin sandwich panels	Precast elements with restricted access anchor positions
Features	Element thickness, concrete compressive strength, reinforcement	Element thickness, concrete compressive strength, reinforcement	Element thickness, concrete compressive strength, reinforcement
Load class	1,3 – 20,0	2,5 – 15,0	1,3 – 5,0
	Spherical head eye anchor 6001	Spherical head plate anchor 6010	Spherical head pitching anchor 6006
			
Applications	Prestressed beams, thin-wall elements, low concrete strength	Large thin slabs with high weight, prefab garages	Thin panels that are lifted at 90° from the formwork
Features	Element thickness, concrete compressive strength, reinforcement	Element thickness, concrete compressive strength, reinforcement	Element thickness, concrete compressive strength, reinforcement
Load class	1,3 – 20,0	1,3 – 10,0	2,5 – 5,0
Lifting links			
	Universal head lifting link 6102		
			
Applications	Lifting device for all types of spherical head anchors in load classes 1,3 – 45,0		

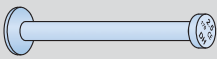
DEHA SPHERICAL HEAD LIFTING ANCHOR SYSTEM

System Overview

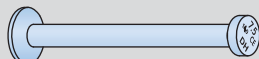
Recess formers and recess-void fillers, accessories			
	Rubber recess former, round 6131/6132/6133	Rubber recess former, narrow 6137/6138/6145	Rubber recess former 6134, round, for spherical head pitching anchor 6006
			
Applications	For all anchors except tilt-up anchors and DSM	For all anchors except tilt-up anchors and DSM	Only for tilt-up anchors
Features	Highly durable and good resistance against formwork oil	Suitable for smaller recesses in very thin wall panels	Special adapter facilitates use of the universal head lifting link
Load class	1,3 – 45,0	1,3 – 20,0	2,5 – 5,0
	Polyurethane recess former for DSM 6127	Magnetic recess former for DSM 6126	Rubber recess former for DSM 6128
			
Applications	For quick fitting lifting anchor DSM	For quick fitting lifting anchor DSM	For quick fitting lifting anchor DSM
Features	Highly durable and form stability	Magnetic	Highly durable and good resistance against formwork oil
Load class	1,3 – 5,0	1,3 – 5,0	1,3 – 2,5
	Steel recess former, round 6150	Magnetic steel recess former, round 6150 M	Trumpet steel recess former 6152
			
	Installed with rubber grommet	Installed with rubber grommet	Installed with rubber grommet
Applications	For all anchors except tilt-up anchors and DSM	For all anchors except tilt-up anchors and DSM	For all anchors except tilt-up anchors and DSM
Features	Highly durable	Magnetic, highly durable	Highly durable
Load class	1,3 – 5,0	1,3 – 5,0	1,3 – 5,0
	Magnetic trumpet steel recess former 6152 M	Recess/void filler, Polystyrene 6015	Fibre reinforced concrete recess/void filler VKF 6172
			
	Installed with rubber grommet		
Applications	For all anchors except tilt-up anchors and DSM	Used to protect the recess from dirt, water and ice	To permanently seal recesses in concrete
Features	Magnetic, highly durable		With appropriate adhesive, watertight up to 5 bar
Load class	1,3 – 10,0	1,3 – 20,0	7,5 – 45,0

DEHA SPHERICAL HEAD LIFTING ANCHOR SYSTEM

Selection Tables – Anchors

Spherical head anchor: load class 1,3 – 5,0				
Load class				
	Mill finish		Hot-dip galvanized	
	Article number	Order no. 0735.010-	Article number	Order no. 0735.-
1,3	• 6000-1,3-0040	00002	6000-1,3-0040 FV	200-00067
	• 6000-1,3-0050	00003	6000-1,3-0050 FV	200-00068
	6000-1,3-0055	00004	6000-1,3-0055 FV	200-00069
	• 6000-1,3-0065	00005	6000-1,3-0065 FV	200-00070
	• 6000-1,3-0085	00006	6000-1,3-0085 FV	200-00071
	• 6000-1,3-0120	00007	6000-1,3-0120 FV	200-00072
	• 6000-1,3-0240	00008	6000-1,3-0240 FV	200-00073
	2,5	6000-2,5-0045	00015	6000-2,5-0045 FV
• 6000-2,5-0055		00016	6000-2,5-0055 FV	200-00081
• 6000-2,5-0065		00017	6000-2,5-0065 FV	200-00082
6000-2,5-0075		00189	6000-2,5-0075 FV	200-00156
• 6000-2,5-0085		00018	6000-2,5-0085 FV	200-00083
• 6000-2,5-0120		00019	6000-2,5-0120 FV	200-00084
• 6000-2,5-0170		00020	6000-2,5-0170 FV	200-00085
6000-2,5-0210		00021	6000-2,5-0210 FV	200-00086
• 6000-2,5-0280		00022	6000-2,5-0280 FV	200-00087
4,0		• 6000-4,0-0075	00023	6000-4,0-0075 FV
	• 6000-4,0-0100	00024	6000-4,0-0100 FV	200-00089
	6000-4,0-0120	00025	6000-4,0-0120 FV	200-00090
	• 6000-4,0-0170	00027	6000-4,0-0170 FV	200-00091
	• 6000-4,0-0210	00028	6000-4,0-0210 FV	200-00092
	• 6000-4,0-0240	00029	6000-4,0-0240 FV	200-00093
	• 6000-4,0-0340	00030	6000-4,0-0340 FV	200-00094
	6000-4,0-0420	00031	6000-4,0-0420 FV	200-00095
5,0	6000-5,0-0055	00032	-	-
	6000-5,0-0065	00033	6000-5,0-0065 FV	200-00096
	6000-5,0-0075	00034	6000-5,0-0075 FV	200-00097
	• 6000-5,0-0085	00035	6000-5,0-0085 FV	200-00098
	• 6000-5,0-0095	00036	6000-5,0-0095 FV	010-00172
	6000-5,0-0110	00037	on request	-
	• 6000-5,0-0120	00038	6000-5,0-0120 FV	200-00100
	6000-5,0-0180	00039	6000-5,0-0180 FV	200-00101
	6000-5,0-0210	00173	6000-5,0-0210 FV	200-00102
	• 6000-5,0-0240	00040	6000-5,0-0240 FV	010-00174
	• 6000-5,0-0340	00041	6000-5,0-0340 FV	200-00104
	• 6000-5,0-0480	00042	6000-5,0-0480 FV	200-00105


Items marked with (•) can be found in the load charts.

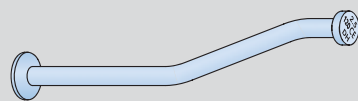
Spherical head anchor: load class 7,5 – 45,0				
Load class				
	Mill finish		Hot-dip galvanized	
	Article number	Order no. 0735.010-	Article number	Order no. 0735.-
7,5	• 6000-7,5-0100	00043	6000-7,5-0100 FV	200-00106
	• 6000-7,5-0120	00046	6000-7,5-0120 FV	200-00107
	• 6000-7,5-0140	00047	6000-7,5-0140 FV	200-00108
	• 6000-7,5-0165	00049	6000-7,5-0165 FV	200-00110
	• 6000-7,5-0200	00050	6000-7,5-0200 FV	200-00111
	• 6000-7,5-0300	00051	6000-7,5-0300 FV	010-00188
	• 6000-7,5-0540	00052	6000-7,5-0540 FV	200-00113
	• 6000-7,5-0680	00053	6000-7,5-0680 FV	200-00114
10,0	• 6000-10,0-0115	00054	6000-10,0-0115 FV	200-00116
	• 6000-10,0-0135	00056	6000-10,0-0135 FV	200-00117
	• 6000-10,0-0150	00057	6000-10,0-0150 FV	200-00118
	• 6000-10,0-0170	00058	6000-10,0-0170 FV	200-00119
	• 6000-10,0-0200	00059	6000-10,0-0200 FV	200-00158
	• 6000-10,0-0250	00060	6000-10,0-0250 FV	200-00120
	• 6000-10,0-0340	00061	6000-10,0-0340 FV	200-00121
	• 6000-10,0-0680	00062	6000-10,0-0680 FV	200-00123
15,0	• 6000-15,0-0140	00063	6000-15,0-0140 FV	200-00124
	• 6000-15,0-0165	00064	6000-15,0-0165 FV	200-00125
	• 6000-15,0-0200	00065	6000-15,0-0200 FV	200-00126
	• 6000-15,0-0300	00066	6000-15,0-0300 FV	200-00127
	• 6000-15,0-0400	00067	6000-15,0-0400 FV	200-00128
	• 6000-15,0-0840	00068	6000-15,0-0840 FV	200-00129
	6000-20,0-0180	00168	on request	-
20,0	• 6000-20,0-0200	00070	6000-20,0-0200 FV	200-00131
	• 6000-20,0-0240	00071	6000-20,0-0240 FV	200-00132
	• 6000-20,0-0340	00074	6000-20,0-0340 FV	200-00134
	• 6000-20,0-0500	00075	6000-20,0-0500 FV	200-00135
	• 6000-20,0-1000	00076	6000-20,0-1000 FV	200-00136
32,0	• 6000-32,0-0200	00077	6000-32,0-0200 FV	200-00137
	• 6000-32,0-0250	00078	6000-32,0-0250 FV	200-00138
	• 6000-32,0-0280	00079	6000-32,0-0280 FV	200-00139
	• 6000-32,0-0320	00080	6000-32,0-0320 FV	200-00140
	• 6000-32,0-0700	00082	6000-32,0-0700 FV	200-00142
	• 6000-32,0-1200	00083	6000-32,0-1200 FV	200-00143
45,0	• 6000-45,0-0500	00197	not available	-
	• 6000-45,0-1200	00159	not available	-
Load class	Stainless steel A4			
	Article number		Order no.	
1,3	•	6000-1,3-0065 A4	0735.010-00130	
	•	6000-1,3-0085 A4	0735.010-00131	
	•	6000-1,3-0120 A4	0735.010-00132	
2,5	•	6000-2,5-0120 A4	0735.010-00137	
	•	6000-2,5-0170 A4	0735.010-00138	
5,0	•	6000-5,0-0120 A4	0735.010-00144	
	•	6000-5,0-0240 A4	0735.010-00146	


Other lengths and load classes up to 40,0 on request.
Minimum orders and delivery times on request.

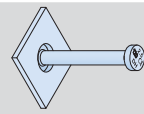
DEHA SPHERICAL HEAD LIFTING ANCHOR SYSTEM

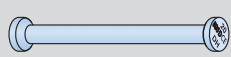
Selection Tables – Anchors

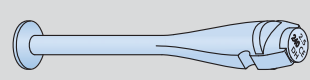
DEHA Spherical head rod anchor				
Load class				
	Mill finish		Hot-dip galvanized	
	Article number	Order no. 0735.070-	Article number	Order no. 0735.200-
2,5	6050-2,5-0400	00002	6050-2,5-0400 FV	00030
	6050-2,5-0520	00003	6050-2,5-0520 FV	00031
5,0	6050-5,0-0580	00007	6050-5,0-0580 FV	00159
	6050-5,0-0900	00008	6050-5,0-0900 FV	00036
7,5	6050-7,5-0750	00009	6050-7,5-0750 FV	00037
	6050-7,5-1150	00010	6050-7,5-1150 FV	00038
10,0	6050-10,0-0870	00011	6050-10,0-0870 FV	00039
	6050-10,0-1300	00012	6050-10,0-1300 FV	00040
15,0	6050-15,0-1080	00013	6050-15,0-1080 FV	00041
	6050-15,0-1550	00014	6050-15,0-1550 FV	00042

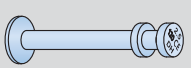
DEHA Spherical head anchor, offset version				
Load class				
	Mill finish		Hot-dip galvanized	
	Article number	Order no. 0735.030-	Article number	Order no. 0735.200-
1,3	6002-1,3-0227	00001	6002-1,3-0227 FV	00053
2,5	6002-2,5-0268	00002	6002-2,5-0268 FV	00054
4,0	6002-4,0-0406	00003	6002-4,0-0406 FV	00055
5,0	6002-5,0-0466	00004	6002-5,0-0466 FV	00056
7,5	6002-7,5-0644	00005	6002-7,5-0644 FV	00057
10,0	6002-10,0-0667	00006	6002-10,0-0667 FV	00058
15,0	6002-15,0-0825	00007	6002-15,0-0825 FV	00059
20,0	6002-20,0-0986	00008	6002-20,0-0986 FV	00060

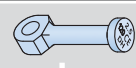
DEHA Spherical head rod anchor, offset version				
Load class				
	Mill finish		Hot-dip galvanized	
	Article number	Order no. 0735.080-	Article number	Order no. 0735.200-
2,5	6052- 2,5-0508	00002	6052-2,5-0508 FV	00024
5,0	6052- 5,0-0885	00004	6052-5,0-0885 FV	00025
7,5	6052- 7,5-1134	00006	6052-7,5-1134 FV	00026
10,0	6052-10,0-1284	00008	-	-
15,0	6052-15,0-1535	00010	6052-15,0-1535 FV	00028

DEHA Spherical head plate anchor				
Load class				
	Mill finish		Hot-dip galvanized	
	Article number	Order no. 0735.060-	Article number	Order no. 0735.200-
2,5	6010- 2,5-0055	00001	6010- 2,5-0055 FV	00043
	6010- 2,5-0120	00002	6010- 2,5-0120 FV	00044
5,0	6010- 5,0-0065	00004	6010- 5,0-0065 FV	00046
	6010- 5,0-0110	00007	6010- 5,0-0110 FV	00047
7,5	6010- 7,5-0100	00008	6010- 7,5-0110 FV	00173
10,0	6010-10,0-0115	00009	6010-10,0-0115 FV	00048
	6010-10,0-0150	00011	6010-10,0-0150 FV	00172

DEHA Double-headed transport anchor				
Load class				
	Mill finish		Hot-dip galvanized	
	Article number	Order no. 0735.018-	Article number	Order no. 0735.208-
10,0	6000-10,0-0340D	00056	6000-10,0-0340D FV	00056
15,0	6000-15,0-0400D	00057	6000-15,0-0400D FV	00057
20,0	6000-20,0-0500D	00067	6000-20,0-0500D FV	00067
32,0	6000-32,0-0700D	00058	6000-32,0-0700D FV	00058

DEHA Spherical head pitching (tilting) anchor				
Load class				
	Mill finish		Hot-dip galvanized	
	Article number	Order no. 0735.120-	Article number	Order no. 0735.200-
2,5	6006-2,5-0240	00001	6006-2,5-0240 FV	00151
5,0	6006-5,0-0240	00002	6006-5,0-0240 FV	00152

DEHA Quick fitting spherical head anchor (DSM)				
Load class				
	Mill finish		Hot-dip galvanized	
	Article number	Order no. 0735.110-	Article number	Order no. 0735.200-
1,3	6073-1,3-0065	00005	6073-1,3-0065 FV	00001
	6073-1,3-0120	00004	6073-1,3-0120 FV	00002
2,5	6073-2,5-0085	00001	6073-2,5-0085 FV	00003
	6073-2,5-0120	00002	6073-2,5-0120 FV	00004
5,0	6073-2,5-0170	00003	6073-2,5-0170 FV	00005
	6073-5,0-0110	00006	6073-5,0-0110 FV	00006
	6073-5,0-0240	00007	6073-5,0-0240 FV	00007

DEHA Spherical head eye anchor					
Load class					
	Mill finish		Hot-dip galvanized		
	Article number	Order no. 0735.050-	Article number	Order no. 0735.200-	
1,3	6001- 1,3-0065	00001	6001- 1,3-0065 FV	00061	
2,5	6001- 2,5-0090	00002	6001- 2,5-0090 FV	00062	
5,0	6001- 5,0-0120	00003	6001- 5,0-0120 FV	00063	
10,0	6001-10,0-0180	00004	6001-10,0-0180 FV	00064	
20,0	6001-20,0-0250	00005	6001-20,0-0250 FV	00065	
Stainless steel A4					
Load class	Article number 6001-	Order no. 0735.050-	Load class	Article number 6001-	Order no. 0735.050-
1,3	1,3-0065 A4	00021	10,0	5,0-0180 A4	00024
2,5	2,5-0090 A4	00022	20,0	5,0-0250 A4	00025
5,0	5,0-0120 A4	00023			

DEHA SPHERICAL HEAD LIFTING ANCHOR SYSTEM

Selection Tables – Recess Formers

Rubber recess formers												
Load class	Hemispherical shape						Narrow					
	incl. plate with threaded rod		incl. plate with socket		without steel parts		incl. plate with threaded rod		incl. plate with socket		without steel parts	
	Article number	Order no. 0736.020-	Article number	Order no. 0736.030-	Article number	Order no. 0736.010-	Article number	Order no. 0736.070-	Article number	Order no. 0736.080-	Article number	Order no. 0736.060-
1,3	6132- 1,3	00001	6133-1,3	00001	6131-1,3	00001	6138-1,3	00001	6145-1,3	00001	6137-1,3	00001
2,5	6132- 2,5	00002	6133-2,5	00002	6131-2,5	00002	6138-2,5	00002	6145-2,5	00002	6137-2,5	00002
4,0	6132- 4,0	00003	6133-4,0	00003	6131-4,0	00003	6138-5,0	00004	6145-5,0	00004	6137-5,0	00004
5,0	6132- 5,0	00004	6133-5,0	00005	6131-5,0	00004						
7,5	6132- 7,5	00005	6133-7,5	00006	6131-7,5	00005	6138-7,5	00005	6145-7,5	00005	6137-7,5	00005
10,0	6132-10,0	00006	6133-10,0	00007	6131-10,0	00006	6138-10,0	00006	6145-10,0	00006	6137-10,0	00006
15,0	6132-15,0	00007	6133-15,0	00008	6131-15,0	00007	6138-15,0	00007	6145-15,0	00007	6137-15,0	00007
20,0	6132-20,0	00008	6133-20,0	00004	6131-20,0	00008	6138-20,0	00008	6145-20,0	00008	6137-20,0	00008
32,0	6132-32,0	00009	6133-32,0	00009	6131-32,0	00009	-	-	-	-	-	-
45,0												

Recess formers								Recess/void filler					
Load class	For spherical head pitching anchor		For quick fitting spherical head anchor DSM					Polystyrene		Fibre reinforced, light-weight concrete			
	Rubber, round		Polyurethane		Polyurethane with magnet		Rubber						
	Article number	Order no. 0736.150-	Article number	Order no. 0736.170-	Article number	Order no. 0736.190-	Article number	Order no. 0736.140-	Article number	Order no. 0737.010-	Article number	Order no. 0737.120-	
1,3	-	-	6127-1,3	00001	6126-1,3	00001	6128-1,3	00002	6015-1,3	00001	-	-	
2,5	6134-2,5	00001	6127-2,5	00002	6126-2,5	00002	6128-2,5	00001	6015-2,5	00002	-	-	
4,0	6134-5,0	00002	6127-5,0	00003	6126-5,0	00003	-	-	6015-5,0	00003	-	-	
5,0													
7,5	-	-	-	-	-	-	-	-	6015-10,0	00004	6172-10,0	00001	
10,0	-	-	-	-	-	-	-	-					
15,0	-	-	-	-	-	-	-	-	6015-20,0	00005	6172-20,0	00002	
20,0	-	-	-	-	-	-	-	-					
32,0	-	-	-	-	-	-	-	-	-	-	6172-32,0	00003	
45,0	-	-	-	-	-	-	-	-					

DEHA SPHERICAL HEAD LIFTING ANCHOR SYSTEM

Selection Tables – Recess formers – Lifting Links

DEHA Steel recess formers									DEHA Lifting Links	
Load class	Round		Trumpet shape		Round with magnet		Trumpet shaped with magnet		Universal head lifting link UKK	
	Article number	Order no. 0736.100-	Article number	Order no. 0736.120-	Article number	Order no. 0736.110-	Article number	Order no. 0736.130-	Article number	Order no. 0738.010-
1,3	6150-1,3	00001	6152-1,3	00001	6150-1,3 M	00001	6152-1,3 M	00001	6102- 1,3	00001
2,5	6150-2,5	00002	6152-2,5	00002	6150-2,5 M	00002	6152-2,5 M	00002	6102- 2,5	00002
4,0	6150-5,0	00003	6152-5,0	00003	6150-5,0 M	00003	6152-5,0 M	00003	6102- 5,0	00003
5,0										
7,5	-	-	-	-	-	-	6152-10,0 M	00005	6102-10,0	00004
10,0	-	-	-	-	-	-				
15,0	-	-	-	-	-	-	-	-	6102-20,0	00005
20,0	-	-	-	-	-	-	-	-		
32,0	-	-	-	-	-	-	-	-	6102-32,0	00006
45,0	-	-	-	-	-	-	-	-	6102-45,0	00007

Accessories for DEHA Recess former												
Load class	Rubber grommet		Double rubber grommet		Pitching plate		Plate with threaded rod and wing nut		Plate with socket		Threaded rod with wing nut	
	Article number	Order no. 0737.060-	Article number	Order no. 0737.070-	Article number	Order no. 0737.050-	Article number	Order no. 0737.020-	Article number	Order no. 0737.040-	Article number	Order no. 073.060-
1,3	6151- 1,3	00001	6151-1,3 D	00001	6060-1,3	00001	6141- 1,3	00001	6153-1,3	00001	S1-08	00001
2,5	6151- 2,5	00002	6151-2,5 D	00002	-	-	6141- 2,5	00002	6153-2,5	00002		
4,0	6151- 5,0	00003	6151-4,0 D	00003	-	-	6141- 5,0	00003	6153-5,0	00003	S1-12	00002
5,0			-	-	-	-						
7,5	6151- 7,5	00004	6151-7,5 D	00004	-	-	6141-10,0	00004	6153-10,0	00004	S1-16	00003
10,0	6151-10,0	00005	-	-	-	-						
15,0	-	-	-	-	-	-	6141-20,0	00005	6153-20,0	00005	S1-16	00003
20,0	-	-	-	-	-	-						
32,0	-	-	-	-	-	-	6141-45,0	00006	6153-45,0	0737,030-00006	S1-16	00003
45,0	-	-	-	-	-	-						

DEHA SPHERICAL HEAD LIFTING ANCHOR SYSTEM

Installation and Application

Safety regulations

The transport anchor system is made up of the permanently cast-in transport anchor and the temporarily connected lifting equipment.

The basic principles for dimensioning and application of transport anchors can be found in the VDI/BV-BS guideline 6205. The methods in the guideline represent current technology.

The regulations require the following safety factors:

Failure safety factors	
Steel failure of anchors:	$\gamma = 3.0$
Concrete failure*:	$\gamma = 2.5$
Failure in the lifting-link:	$\gamma = 4.0$

* A safety factor of $\gamma = 2.1$ can be assumed for transport anchors installed in a continuous supervised factory environment.



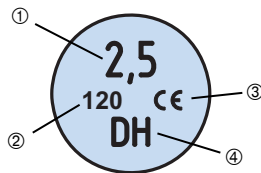
For safety reasons the installation and application instructions for DEHA Lifting systems must always be available at the place of use.

The installation and application instructions must be readily available on site, in the precast plant or on the construction site. The plant or site manager must ensure that the operator has read and understood the installation and application instructions for this system.

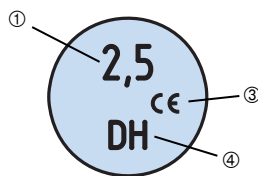
Identification

All DEHA Lifting and hoisting equipment are clearly and visibly marked. According to VDI/BV-BS guideline 6205 safety regulations for lifting anchors and systems, identification marking of all lifting elements must remain clearly visible, even after installation.

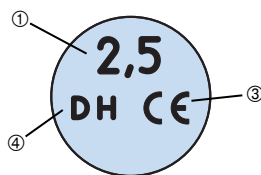
Spherical head transport anchor 6000,
Spherical head plate anchor 6010,
Spherical head rod anchor 6050



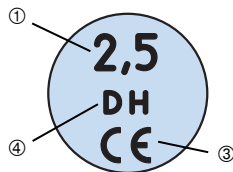
Spherical head rod-anchor 6050,
Offset spherical head rod anchor 6052,
Quick fitting spherical head anchor 6073



Spherical head eye-anchor 6001



Spherical head pitching anchor 6006



- ① Load class
- ② Transport anchor length
- ③ CE marking
- ④ Manufacturer (DH for DEHA)

Installation and application

The following technical specifications and requirements must be observed when installing DEHA Spherical head transport-anchor systems.

Transport anchors which are incorrectly installed, defective or damaged (for example corrosion damage or with visible deformities) must not be used for lifting.

Stainless steel transport anchors

Transport anchors may not be used repeatedly. Multiple lifting in the normal sequence of transporting and loading, through to final erection is not defined as repeated use. Transport anchors for permanent use in crane ballast etc. must be made of stainless steel in accordance with approval regulation; approval no. Z-30.3-6.

Quality control

All transport anchors and systems are quality controlled in accordance with DIN EN ISO 9001

Damaged anchor

Defective or damaged anchors (for example corrosion damage) must not be used for lifting. The anchor may not be used if there is damage to the concrete which may reduce the load capacity.

DEHA SPHERICAL HEAD LIFTING ANCHOR SYSTEM

Installation and Application

Criteria for anchor selection

Maximum load capacities, edge distances and installation values can be found in the respective tables. Irrespective of the selected anchor type (selected according to the load acting on the anchor) the following factors must be taken into account for calculation:

- weight of precast element
- number of anchors
- anchor layout
- number of load bearing anchors
- spread angle in the hoist
- anchor diagonal pull properties
- dynamic loads
- adhesion to the formwork

Ensure sufficient reinforcement if slabs are cast in the horizontal and subsequently lifted upright without a tilting table.

Number of anchors

The number of anchors determines the type of hoist that needs to be used. A hoist with more than two cables is statically indeterminate if the anchors are aligned along a single axis. Hoists with more than three cables are deemed statically indeterminate if measures are not taken to ensure the load is distributed amongst all anchors (for example; with a spreader beam etc.).

Installation and application

DEHA Spherical head lifting anchor systems should only be installed when the following technical specifications and requirements have been met:

- load capacity
- edge spacing
- concrete grade
- load direction
- additional reinforcement

Load capacity

The load capacity of the anchor depends on:

- concrete compression strength f_{ci} at time of lift (cube-test $15 \times 15 \times 15$ cm)
- anchorage length of the anchor
- edge and axial anchor spacing
- load direction
- reinforcement layout

Calculating the tension load

As a rule the tension force Z in the anchor is calculated using the following formulae:

Load case: removing the formwork

$$F_Z = F_G \times z \times \xi / n$$

or

$$F_Z = (F_G + q_{adh} \times A_f) \times z / n$$

Load case: transport

$$F_Z = F_G \times z \times \psi_{dyn} / n$$

Abbreviations:

F_Z = tension force on the anchor [kN]

F_G = element weight [kN]
(according to DIN EN 1991-1-1:
12/2010) specific weight of
 $\gamma = 25 \text{ kN/m}^3$)

A_f = contact surface between the
concrete and formwork [m^2]

n = number of load bearing anchors

z = spread angle factor

ξ = formwork adhesion factor

ψ_{dyn} = dynamic factor

q_{adh} = base value for formwork adhesion

F_{adh} = effective load caused by
formwork adhesion [kN]

DEHA SPHERICAL HEAD LIFTING ANCHOR SYSTEM

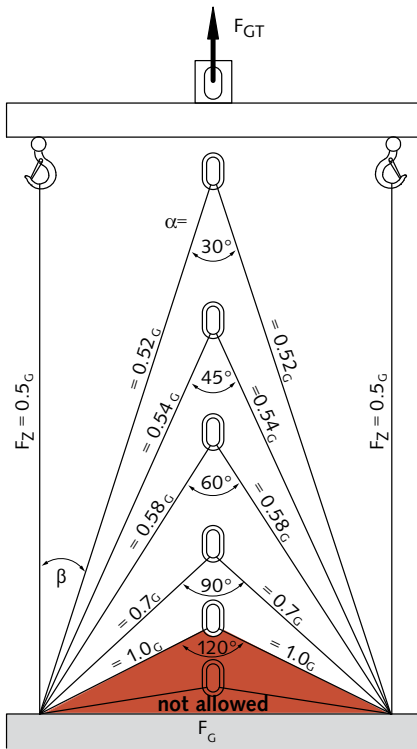
Installation and Application

Loads at the anchor – Dead weight

Element weight is defined as: Volume of the element × specific weight of the concrete

Increase factors:

- Spread angle



Spread angle factors		
Cable angle	Spread angle	Factor
β	α	z
0°	-	1.00
7.5°	15°	1.01
15°	30°	1.04
22.5°	45°	1.08
30°	60°	1.16
37.5°	75°	1.26
45°	90°	1.41
52.5°	105°	1.64
60°	120°	2.00

- Dynamic loads

The effect of dynamic loading depends mainly on the lifting equipment between the crane and the load lifting head.

Cables made of steel or synthetic fibre have a dampening effect. With increasing cable length the dampening effect is increased.

However, **short chains** have an unfavourable effect. The forces acting on the lifting anchors are calculated taking the shock factor ψ_{dyn} into account.

Dynamic-factors ψ_{dyn}^*	
Lifting unit	Shock factors ψ_{dyn}^*
Stationary crane, swing-boom crane, rail crane	1.3
Lifting and moving on level terrain	2.5
Lifting and moving on uneven terrain	≥ 4.0

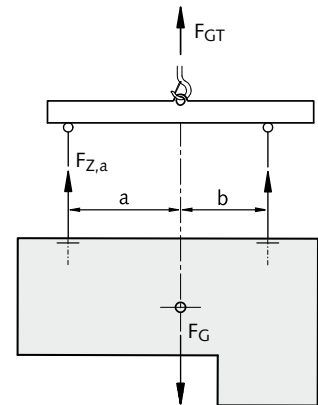
* If other values from reliable tests or through proven experience are available for ψ_{dyn} then these may be used for calculation.

For other transport and lifting situations the coefficient ψ_{dyn} is defined through reliable tests or proven experience.

- Non-symmetrical anchor layout

The load in each anchor is calculated using bar statics if the anchors are not installed symmetrically to the load's centre of gravity.

Uneven loading of the anchor caused by non-symmetrically installed anchors in respect to the load's centre of gravity:



The load's centre of gravity will always stabilise vertically under the crane hook. Load distribution in non-symmetrically installed anchors when using a spreader beam is calculated as below:

$$F_{Z,a} = F_G \times b / (a + b)$$

$$F_{Z,b} = F_G \times a / (a + b)$$



Note: To avoid precast elements hanging at a slant when being moved, the hook in the spreader beam should be directly above the centre of gravity.

The transport anchors should be installed symmetrically to the centre of gravity, if lifting elements without a spreader beam.

DEHA SPHERICAL HEAD LIFTING ANCHOR SYSTEM

Installation and Application

Loads on the anchors – Adhesion

Adhesion:

• Adhesion forces

Depending on the material used for the formwork the adhesion between formwork and concrete can vary.

The following table can be used as a reference:

Adhesion to the formwork	
Lubricated steel formwork	$q_{adh} \geq 1 \text{ kN/m}^2$
Varnished timber formwork	$q_{adh} \geq 2 \text{ kN/m}^2$
Rough formwork	$q_{adh} \geq 3 \text{ kN/m}^2$

The adhesion value (F_{adh}) for the formwork is calculated using the following equation:

$$F_{adh} = q_{adh} \times A_f \text{ ①}$$

① Surface of the cast slab attached to the formwork before lifting.

• Increased adhesion

Increased adhesion must be assumed for π - panel and coffered ceiling slabs.

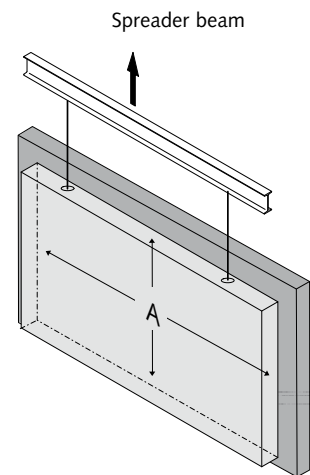
To simplify calculation, a multiple of the mass is used:

Increased adhesion to the formwork	
π - panel	$\xi = 2$
Ribbed panel	$\xi = 3$
Waffled panel	$\xi = 4$

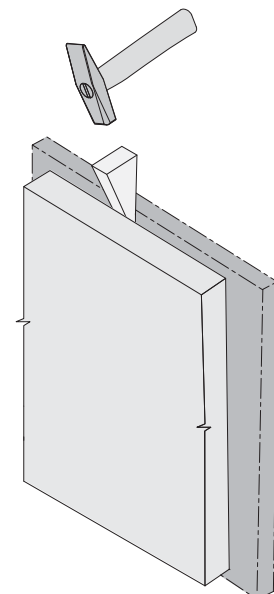
Substantial load increase can also be encountered when components are lifted parallel or near parallel to parts of the formwork. This applies to ribbed slabs and coffered ceiling slabs and can also apply to vertically cast columns and slabs.

• Striking the formwork

Adhesion to the formwork should be minimised before lifting by removing as many parts of the formwork as possible.



Use a wedge to carefully prise the formwork from the hardened concrete, if it proves difficult to remove.

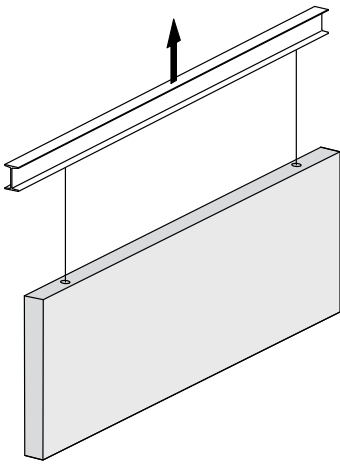


DEHA SPHERICAL HEAD LIFTING ANCHOR SYSTEM

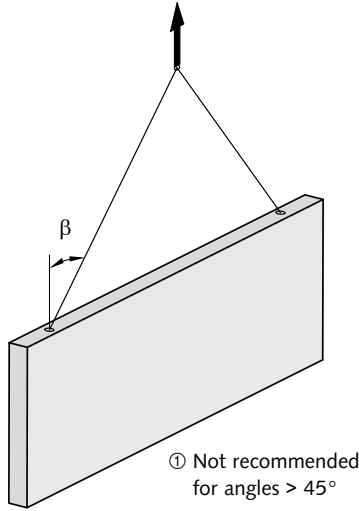
Installation and Application

Tensile loads at the anchors

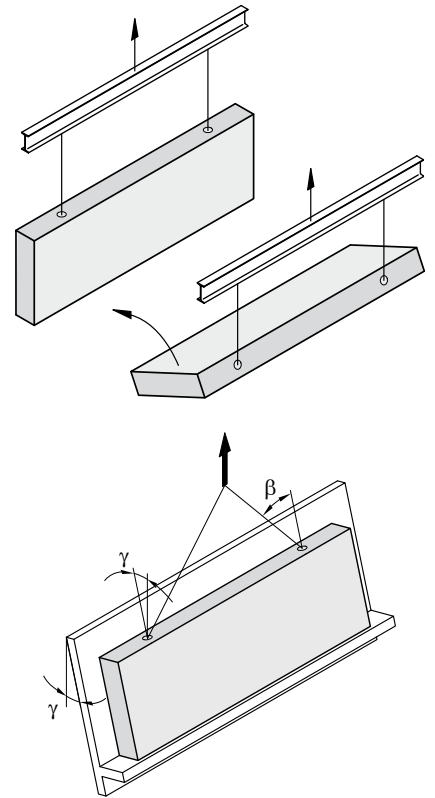
Axial pull β : 0° up to 10°



Diagonal pull lift β : 10° up to 60° ①



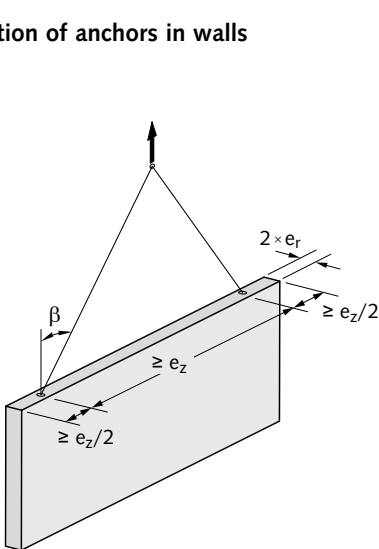
Tilting 90°



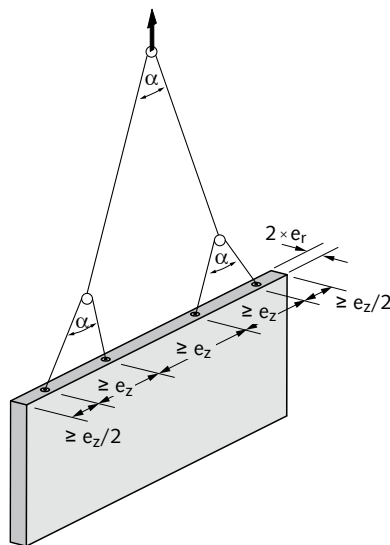
The transverse pull reinforcement can be omitted when using a tilting table and a load angle of $\gamma < 15^\circ$.

Statical systems

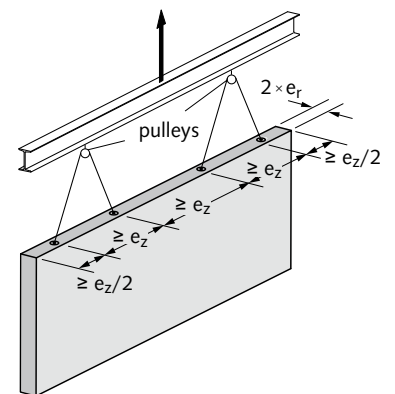
Position of anchors in walls



Assumed number of load bearing anchors: $n = 2$



Assumed number of load bearing anchors: $n = 4$



Assumed number of load bearing anchors: $n = 4$

DEHA SPHERICAL HEAD LIFTING ANCHOR SYSTEM

Installation and Application

Statical systems

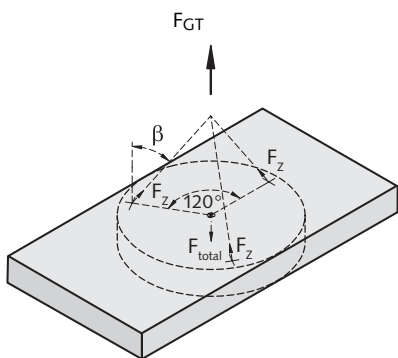
Anchor layout in slabs

In general it is impossible to calculate the precise load per anchor in a beam with more than two suspension points and in a panel with more than three suspension points; even if the anchors are arranged symmetrically to the load centre.

Due to unavoidable tolerances in suspension systems and in the position of anchors, it can never be determined whether the load is distributed equally amongst all anchors.

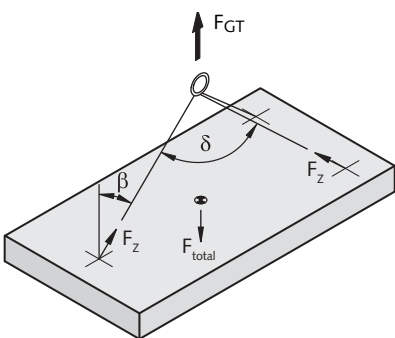
Examples

Using three anchors ensures a static determinate system.



Assumed number of load bearing anchors: $n = 3$

As the anchors are arranged asymmetrically, only two anchors can be assumed to be load bearing.

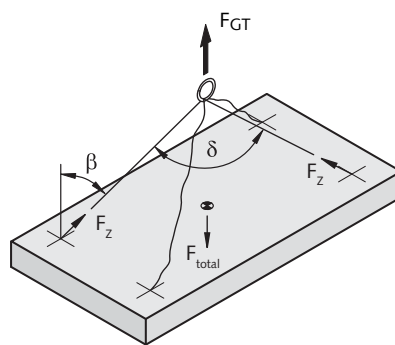


Assumed number of load bearing anchors: $n = 2$

Using tolerance compensating suspension systems permit exact load distribution (e.g. articulated lifting beam combinations, multiple slings with compensating rig, etc.).

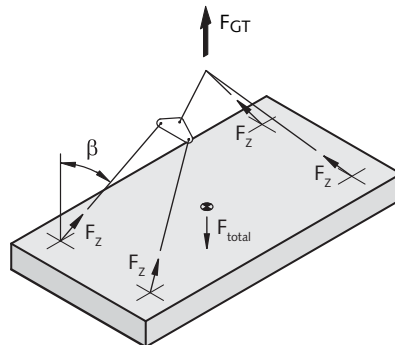
This type of system should only be used by experienced specialists; also bear in mind that this system must be used both at the precast facility and on site.

With four independent cable runs or two single diagonal cables, only two anchors can be assumed to be load bearing.



Assumed number of load bearing anchors: $n = 2$

The system with compensating rig makes it possible to distribute the load evenly over 4 anchors.

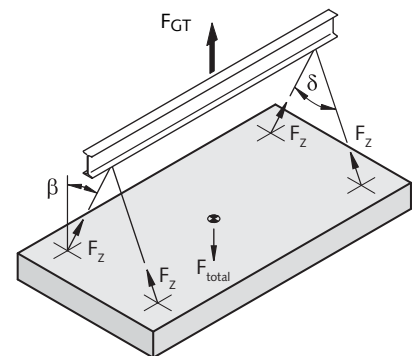


Assumed number of load bearing anchors: $n = 4$

If in doubt assume only two anchors are load bearing (BGR 500 Ch. 2.8 Point 3.5.3).

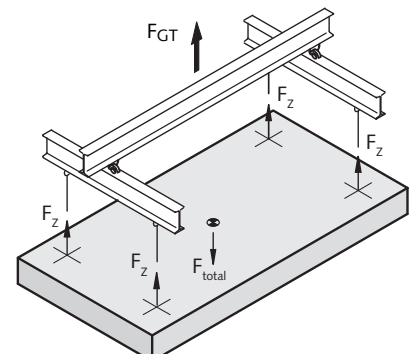
The use of two anchors is recommended for beams and upright panels, and four anchors installed symmetrically to the load centre is recommended for horizontal slabs. In both instances, it can be assumed that two anchors will be bearing equal loads.

A perfect static weight distribution is achieved by using a spreader beam and two symmetrical pairs of anchors.



Assumed number of load bearing anchors: $n = 4$

A perfect static weight distribution can be achieved using a spreader beam which avoids diagonal pull.



Assumed number of load bearing anchors: $n = 4$

DEHA SPHERICAL HEAD LIFTING ANCHOR SYSTEM

Installation and Application

Anchor installation and application – Static system

Transport anchors are made out of killed steel with a high notch toughness, which retains its safe load capacity under shock load in temperatures as low as minus 20°C. Transport anchors production is DIN EN ISO 9001 certified and is subjected to continuous monitoring.

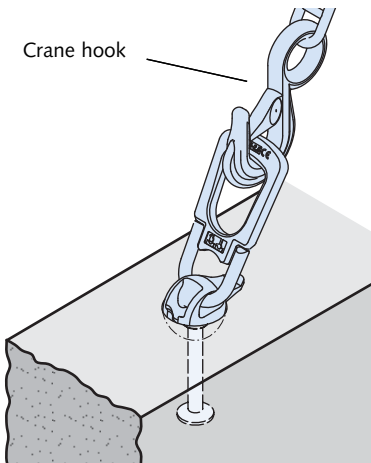
The spherical head transport anchor is cast in with the recess former attached. After the concrete has set the recess former is removed; the lifting link can then be attached to the transport anchor. The connection fulfils all work regulation safety requirements; the transport anchor is in a recess, there are no protruding parts in the finished elements.

The HALFEN product range with its wide selection of transport anchors in various load classes and lengths guarantees that for nearly every shape of reinforced concrete precast element the required technically, correct solution is available and remains cost-efficient – for conventional building projects (beams, ceiling slabs, trusses, columns and stairs); and also for utility and excavation projects (pipes and shafts).

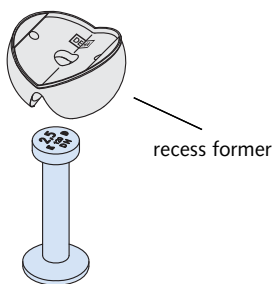
Overview of transport anchors		
Lifting link; load class	Transport anchor; load class	Transport anchor length [mm]
1,3	1,3	40 - 240
2,5	2,5	45 - 280
5,0	4,0	75 - 340
	5,0	75 - 480
10,0	7,5	100 - 540
	10,0	115 - 680
20,0	15,0	140 - 840
	20,0	180 - 1000
32,0	32,0	200 - 1200
45,0	45,0	500 and 1200

Advantages:

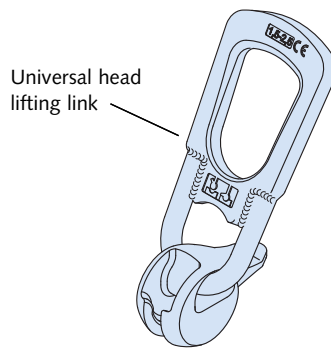
- Safety is the priority when moving or transporting precast elements. The cast-in forged steel spherical head transport anchors include large safety factors against steel and concrete failure. The load class is clearly marked on all anchors; on some anchors the length is also marked.
- There is no risk of using the wrong parts in any load class. The lifting link (the universal head clutch) is wear resistant even in the roughest construction situations.
- The system guarantees fastest possible anchor installation in precast elements and due to the special construction the crane hook is connected within seconds to the precast element.
- Anchor installation using the system accessories is remarkably easy. Engaging and disengaging the universal lifting link – fitted to a crane cable – with the transport anchor is easy and can be done with one hand.
- Thanks to the shape and the effective manufacturing process the spherical head is reasonably priced. The extensive anchor range and the numerous system accessories allow the most economical solution for every precast element; regardless of shape.



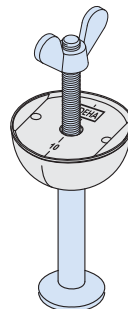
Cast-in anchor with recess and attached lifting link



Spherical head transport anchor



Universal head lifting link



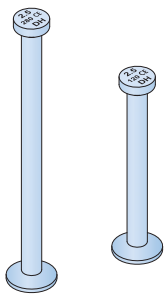
Spherical head transport anchor with recess former

DEHA SPHERICAL HEAD LIFTING ANCHOR SYSTEM

Installation and Application

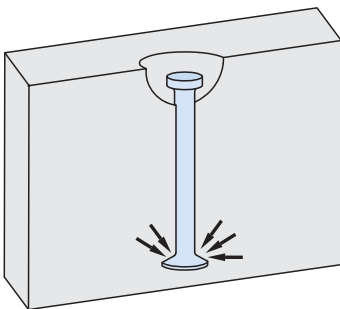
Load transfer and failure behaviour

The spherical head anchors for load classes 1,3 to 45,0 are forged from rod material. Depending on the application, anchors are available in different lengths. Longer anchors are available if reduced edge spacings or low concrete strengths need to be considered.



The load transfer into the concrete is via the anchor foot. This allows high possible loads with relatively short anchor lengths.

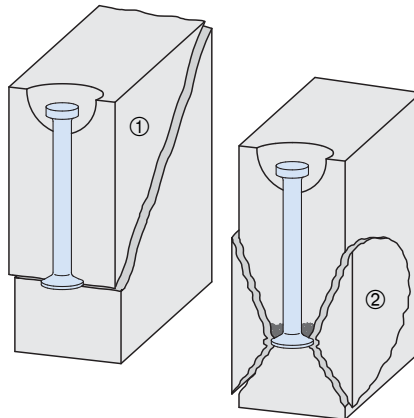
In very thin elements these concentrated loads lead to lateral spalling caused by high tensile splitting.



Compared with other transport anchor systems the symmetrical design of the anchor foot does not require specific placement when installing the anchor (rotational symmetry).

In typical wall thicknesses the concentrated load distribution as displayed by the spherical head transport anchor foot has advantages in comparison with gradual, supposedly smooth load distribution effecting from ribbed steel. This has been proved in numerous tests by the Institute for Concrete and Masonry Construction at the Technical University of Darmstadt (*Institut für Massivbau der TU Darmstadt*).

A typical failure pattern in tests is a cone shaped failure originating from the foot of the anchor. By using a longer anchor a larger area is used to distribute the load in the concrete.



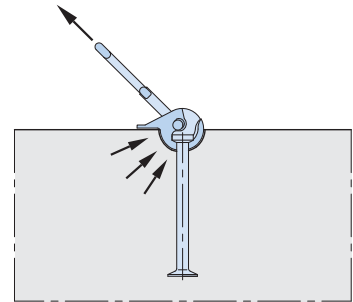
- ① Expected failure if anchor load is too high
- ② Blow-out failure only in very thin elements

The length of the spherical head transport anchors depends on the concrete cross-section and concrete grade, and are designed for optimal load capacity.



Welding and adapting the spherical head transport anchors especially near the head and foot is not permitted.

The universal head lifting link rests against the concrete in diagonal pull and transfers the horizontal load factor directly into the concrete.



Consequently there is no reduction in load bearing capacity to account for diagonal loading in large surface elements. For example; as is standard for sleeve anchors. Additional reinforcement is not required.

Additional diagonal bursting reinforcement is required in thin wall elements. Details can be found in the section "spherical head transport anchor for beams and walls".

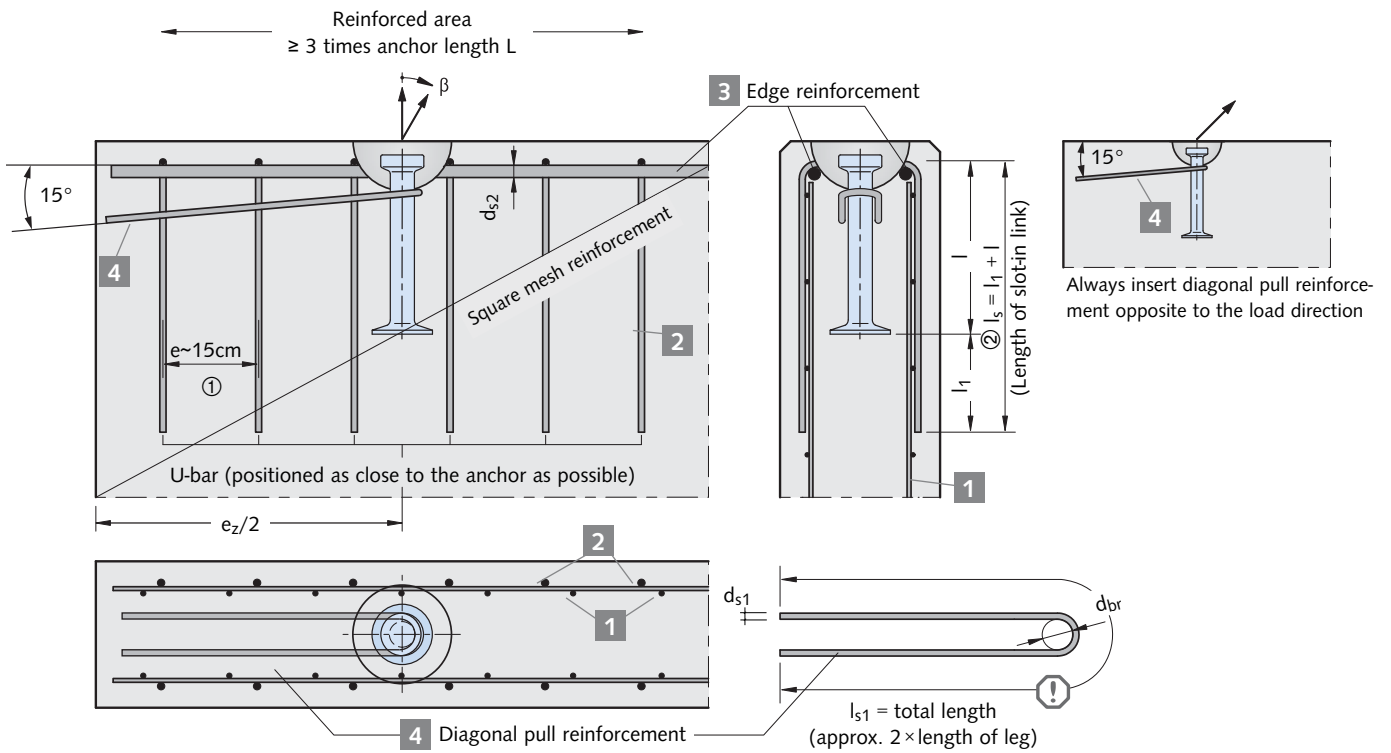
A tilting aid is required with transverse stress in thin wall elements at 90° to the slab surface. A tilting anchor can be used for load classes 2,5 and 5,0. We generally recommend using a tilting table.

Multi-layer elements can be moved using the offset spherical head rod anchor or the offset spherical head transport anchor. Further information can be found in the section "spherical head transport anchors and off-set spherical head anchors".

DEHA SPHERICAL HEAD LIFTING ANCHOR SYSTEM

Spherical Head Anchor

Additional reinforcement when using the spherical head anchors in wall elements



- ① Using short anchors and a high minimum number of u-bars, spacing has to be less than 15cm.
- ② Length of the link (l_s) = length of the anchor (l) + (l_1) from the table below.

The bend radius according to DIN 488 is not mandatory for the diagonal u-bar.

⚠ The diagonal pull reinforcement must be placed as close as possible under the recess former and installed with full contact to the anchor.

Reinforcement in walls

Load class	① ③	② ③ ④						③ ③		④ ⑤ ⑥		
	Square mesh reinforcement	U-bar						Edge reinforcement		Diagonal pull stirrup		
		[mm ² /m]	B500B			B500B			both sides		B500B	
		for axial pull $\leq 30^\circ$ [β]			for diagonal pull $> 30^\circ$ [β]							
		nons	d_s	l_1	nons	d_s	l_1	d_{s2}	d_{s1}	d_{br1}	l_{s1}	
			[mm]	[mm]		[mm]	[mm]	[mm]	[mm]	[mm]	[mm]	
1,3	2×60	≥ 2	$\varnothing 6$	300	≥ 2	$\varnothing 6$	450	$\varnothing 10$	$\varnothing 8$	25	800	
2,5	2×100	≥ 2	$\varnothing 8$	610	≥ 4	$\varnothing 8$	610	$\varnothing 10$	$\varnothing 10$	25	1500	
4,0	2×125	≥ 2	$\varnothing 8$	610	≥ 4	$\varnothing 8$	610	$\varnothing 10$	$\varnothing 12$	30	1600	
5,0	2×140	≥ 2	$\varnothing 10$	720	≥ 4	$\varnothing 10$	720	$\varnothing 12$	$\varnothing 16$	35	2000	
7,5	2×160	≥ 4	$\varnothing 10$	720	≥ 6	$\varnothing 10$	720	$\varnothing 12$	$\varnothing 16$	40	2300	
10,0	2×180	≥ 4	$\varnothing 10$	720	≥ 8	$\varnothing 10$	720	$\varnothing 12$	$\varnothing 20$	50	2600	
15,0	2×240	≥ 4	$\varnothing 12$	800	≥ 6	$\varnothing 12$	1000	$\varnothing 16$	$\varnothing 25$	80	3000	
20,0	2×350	≥ 6	$\varnothing 12$	1000	≥ 10	$\varnothing 12$	1000	$\varnothing 16$	$2 \times \varnothing 25$	80	3400	
32,0	2×400	≥ 8	$\varnothing 12$	1000	≥ 10	$\varnothing 14$	1100	$\varnothing 16$	$2 \times \varnothing 25$	80	3000	
45,0	2×500	≥ 10	$\varnothing 14$	1400	≥ 12	$\varnothing 14$	1440	$\varnothing 20$	$2 \times \varnothing 25$	80	3400	

③ With very thin panels ($2 \times e_r \leq 70$) the square mesh can be used in one layer (example $2 \times 66 \text{ mm}^2/\text{m}$ required, lay $1 \times 132 \text{ mm}^2/\text{m}$ in the middle).

The u-bars in this case can be placed diagonally, but the edge reinforcement must be placed on both sides of the anchor.

④ The u-bars should be evenly distributed on each side of the anchor in an area $2.5 \times$ the anchor length, the first u-bar on each side must be as close as possible to the recess former.

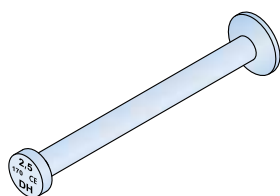
⑤ Diagonal pull reinforcement is only needed if $\beta > 30^\circ$. Diagonal pull reinforcement may not be required if the edge distance is greater (see load tables).

⑥ If the dimensions of the precast element restrict the length of the diagonal pull reinforcement, the end 40% of the bar can be bent to form a loop.

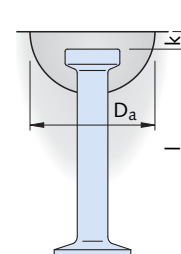
DEHA SPHERICAL HEAD LIFTING ANCHOR SYSTEM

Spherical Head Anchor

Walls and beams – dimensions of spherical head anchors



The spherical head anchor is made of a round steel rod with a forged foot and head.



Dimensions of spherical head anchors

Load class	Article number mill finish	Order no. 0735.010-	Article number hot-dip galvanized	Order no. 0735.-	l [mm]	k [mm]	D _a [mm]
1,3	6000-1,3-0085	00006	6000-1,3-0085 FV	200-00071	85	10	60
	6000-1,3-0120	00007	6000-1,3-0120 FV	200-00072	120		
	6000-1,3-0240	00008	6000-1,3-0240 FV	200-00073	240		
2,5	6000-2,5-0120	00019	6000-2,5-0120 FV	200-00084	120	11	74
	6000-2,5-0170	00020	6000-2,5-0170 FV	200-00085	170		
	6000-2,5-0280	00022	6000-2,5-0280 FV	200-00087	280		
4,0	6000-4,0-0170	00027	6000-4,0-0170 FV	200-00091	170	15	94
	6000-4,0-0240	00029	6000-4,0-0240 FV	200-00093	240		
	6000-4,0-0340	00030	6000-4,0-0340 FV	200-00094	340		
5,0	6000-5,0-0240	00040	6000-5,0-0240 FV	010-00174	240	15	94
	6000-5,0-0340	00041	6000-5,0-0340 FV	200-00104	340		
	6000-5,0-0480	00042	6000-5,0-0480 FV	200-00105	480		
7,5	6000-7,5-0200	00050	6000-7,5-0200 FV	200-00111	200	15	118
	6000-7,5-0300	00051	6000-7,5-0300 FV	010-00188	300		
	6000-7,5-0540	00052	6000-7,5-0540 FV	200-00113	540		
10,0	6000-10,0-0170	00058	6000-10,0-0170 FV	200-00119	170	15	118
	6000-10,0-0340	00061	6000-10,0-0340 FV	200-00121	340		
	6000-10,0-0680	00062	6000-10,0-0680 FV	200-00123	680		
15,0	6000-15,0-0300	00066	6000-15,0-0300 FV	200-00127	300	15	160
	6000-15,0-0400	00067	6000-15,0-0400 FV	200-00128	400		
	6000-15,0-0840	00068	6000-15,0-0840 FV	200-00129	840		
20,0	6000-20,0-0340	00074	6000-20,0-0340 FV	200-00134	340	15	160
	6000-20,0-0500	00075	6000-20,0-0500 FV	200-00135	500		
	6000-20,0-1000	00076	6000-20,0-1000 FV	200-00136	1000		
32,0	6000-32,0-0320	00080	6000-32,0-0320 FV	200-00140	320	23	214
	6000-32,0-0700	00082	6000-32,0-0700 FV	200-00142	700		
	6000-32,0-1200	00083	6000-32,0-1200 FV	200-00143	1200		
45,0	6000-45,0-0500	00197	not available	-	500	23	214
	6000-45,0-1200	00159	not available	-	1200		

Other anchor lengths are available on request.

The minimum edge distance ($e_z/2$) for the spherical head anchor must be observed.

Using constructive measures to lower the edge distance (reinforcement) is possible.

Present reinforcement can be applied towards the minimal required reinforcement for the transport anchor.

The customer is responsible for further distribution of the load in the element. Horizontally cast element must be removed from the tilting table near vertical, at an angle $\geq 75^\circ$.

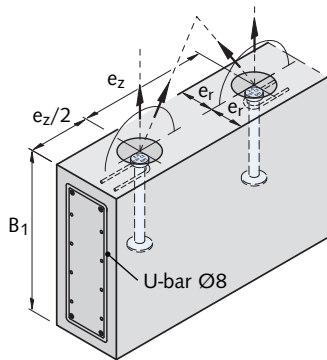
Load class 1,3 can be tilting using a pitching plate.

The spherical head pitching anchor can be used for load classes 2,5 and 5,0. Reducing the reinforcement is possible if the anchor is not subjected to maximum possible load or if further constructive measures are used.

DEHA SPHERICAL HEAD LIFTING ANCHOR SYSTEM

Spherical Head Anchor

Load capacity of spherical head anchors in beams and walls without special requirements on the reinforcement



Required reinforcement **1**, reinforcement **4** only with diagonal pull
 → see table on page 22 "reinforcement in walls".

Spherical head anchors in beams and walls with no special requirements on the reinforcement (load class 1,3 - 7,5)

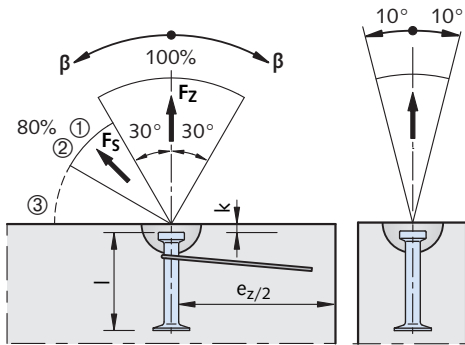
Load class	Article number	Anchor length l [mm]	Minimum height of beams B ₁ [mm]	Wall thickness 2 × e _r [mm]	Load capacity [kN] at concrete strength f _{ci} for				Axial spacing of anchors e _z [mm]	
					Axial pull up to 30° [β]	Diagonal pull up to 60° [β]	Axial pull and diagonal pull up to 60° [β]	Axial pull and diagonal pull up to 60° [β]		
					15 N/mm ²	15 N/mm ²	25 N/mm ²	35 N/mm ²		
1,3	6000-1,3-0085	85	180	100	12.2	9.8	13.0	13.0	270	
				120	13.0	11.2				
				140		12.5				
	6000-1,3-0120	120	250	80	13.0	10.7	13.0	13.0	375	
				100		12.7				
				120		13.0				
	6000-1,3-0240	240	490	60	9.9	9.9	12.7	13.0	735	
				80	13.0	13.0				
				100						
2,5	6000-2,5-0120	120	248	120	18.1	14.5	23.3	25.0	375	
				140	20.3	16.2				
				160	22.4	17.9				
	6000-2,5-0170	170	348	100	20.7	16.5	25.0	25.0	525	
				120	23.7	19.0				
				140	25.0	21.3				
	6000-2,5-0280	280	568	80	18.4	18.4	23.8	25.0	855	
				100	23.0	23.0				
				120	25.0	25.0				
4,0	6000-4,0-0170	170	347	160	29.8	23.8	38.5	40.0	535	
				180	32.5	26.0				
				200	35.2	28.2				
	6000-4,0-0240	240	487	120	31.3	25.1	40.0	40.0	745	
				140	35.2	28.1				
				160	38.9	31.1				
	6000-4,0-0340	340	687	100	29.6	28.7	38.2	40.0	1045	
				120	35.6	32.9				
				140	40.0	36.9				
5,0	6000-5,0-0240	240	490	200	45.7	36.5	50.0	50.0	735	
				220	49.1	39.2				
				240	50.0	41.9				
	6000-5,0-0340	340	690	160	50.0	40.6	50.0	50.0	1035	
				180		44.4				
				200		48.0				
	6000-5,0-0480	480	970	140	46.1	46.1	50.0	50.0	1455	
				160	50.0	50.0				
				180						
7,5	6000-7,5-0200	200	410	240	45.1	36.0	58.2	68.8	610	
				260	47.8	38.3	61.8	73.1		
				280	50.6	40.5	65.3	75.0		
	6000-7,5-0300	300	610	200	54.1	43.3	69.9	75.0	75.0	910
				220	58.1	46.5				
				240	62.2	49.7				
	6000-7,5-0540	540	1090	160	63.2	58.4	75.0	75.0	1630	
				180	71.1	63.8				
				200	75.0	69.1				

f_{ci} = concrete cube strength at time of lifting

DEHA SPHERICAL HEAD LIFTING ANCHOR SYSTEM

Spherical Head Anchor

Load capacity of spherical head anchors in beams and walls without special requirements on the reinforcement



- ① Diagonal pull at $30^\circ \leq \beta \leq 60^\circ$ without reinforcement is only allowed for:
 $f_{ci} \geq 15 \text{ N/mm}^2$ and 3 times minimum wall thickness $2 \times e_r$
 $f_{ci} \geq 25 \text{ N/mm}^2$ and 2.5 times minimum wall thickness $2 \times e_r$
 $f_{ci} \geq 35 \text{ N/mm}^2$ and 2 times minimum wall thickness $2 \times e_r$
- ② With a concrete strength of $f_{ci} \geq 23 \text{ N/mm}^2$ is $F_s = F_z$.
- ③ Diagonal pull with cable/chain spread $\beta > 60^\circ$ is not permitted!

Continued; spherical head anchors in beams and walls with no special requirements on the reinforcement (load class 10,0–45,0)

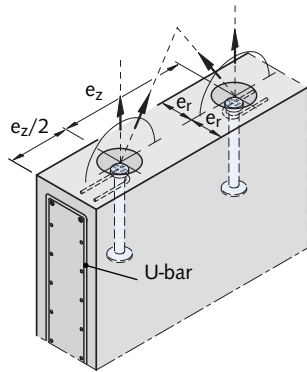
Load class	Article number	Length of anchor l [mm]	Minimum height of beams B ₁ [mm]	Wall thickness 2 × e _r [mm]	Load capacity [kN] at concrete strength f _{ci} for				Axial spacing of anchors e _z [mm]
					Axial pull up to 30° [β]		Axial pull and diagonal pull up to 60° [β]		
					15 N/mm ²	15 N/mm ²	25 N/mm ²	35 N/mm ²	
10,0	6000-10,0-0170	170	340	300	46.4	37.2	60.0	70.9	520
				350	52.1	41.7	67.3	79.6	
				400	57.6	46.1	74.4	88.0	
	6000-10,0-0340	340	680	280	76.6	61.3	98.9		1030
				300	80.7	64.5		100.0	
				320	84.7	67.7	100.0	100.0	
	6000-10,0-0680	680	1360	160	73.7	70.0	95.2		2050
				180	83.0	76.5		100.0	
				200	92.2	82.8	100.0	100.0	
15,0	6000-15,0-0300	300	600	350	81.3	65.0	104.9	124.2	900
				400	89.5	71.9	116.0	137.2	
				500	106.2	85.0	137.1	150.0	
	6000-15,0-0400	400	800	350	102.5	82.0	132.3		1200
				400	113.2	90.6	146.2	150.0	
				450	123.7	99.0	150.0	150.0	
	6000-15,0-0840	840	1680	300		132.5			2520
				340	150.0	145.5	150.0	150.0	
				380		150.0			
20,0	6000-20,0-0340	340	670	500	116.6	93.3	150.6	178.2	1010
				750	158.1	126.5	200.0	200.0	
				1000	196.2	156.9			
	6000-20,0-0500	500	990	400	134.8	107.9	174.1		1490
				500	159.4	127.5	200.0	200.0	
				600	182.8	146.2			
	6000-20,0-1000	1000	1990	240	154.9	128.6	199.9		3000
				300	190.0	152.0	200.0	200.0	
				330	200.0	163.2	200.0	200.0	
32,0	6000-32,0-0320	320	630	600	126.7	101.3	163.5	193.5	940
				800	157.2	125.7	202.9	240.1	
				1200	177.2	141.8	228.8	270.7	
	6000-32,0-0700	700	1390	500	208.6	166.9	269.4	318.7	2080
				600	239.2	191.4	308.8	320.0	
				750	282.8	226.2	320.0	320.0	
	6000-32,0-1200	1200	2390	400	272.5	218.0			3580
				450	297.7	238.2	320.0	320.0	
				500	320.0	257.8			
45,0	6000-45,0-0500	500	990	800	226.0	180.8	291.8	345.3	1480
				1000	267.2	213.8	345.0	408.2	
				1500	358.4	286.7	450.0	450.0	
	6000-45,0-1200	1200	2400	500	322.2	257.8	416.0		3580
				600	369.4	295.5	450.0	450.0	
				750	436.7	349.4	450.0	450.0	

f_{ci} = concrete cube strength at time of lifting

DEHA SPHERICAL HEAD LIFTING ANCHOR SYSTEM

Spherical Head Anchor

Load capacity of spherical head anchors in walls with stressed reinforcement



Required reinforcement **1 - 3**, reinforcement **4** only with diagonal pull → see table on page 22 "reinforcement in walls".

Load capacity of spherical head anchors in walls with stressed reinforcement (load class 1,3-7,5)

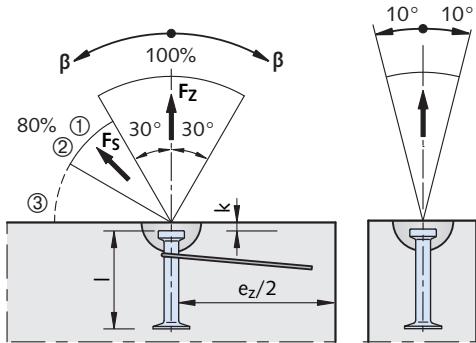
Load class	Article number	Anchor length l [mm]	Wall thickness $2 \times e_r$ [mm]	Load capacity [kN] at concrete strength f_{ci} for				Axial spacing of anchors e_z [mm]
				Axial pull up to 30° [β] 15 N/mm ²	Diagonal pull up to 60° [β] 15 N/mm ²	Axial pull and diagonal pull up to 60° [β] 25 N/mm ²	Axial pull and diagonal pull up to 60° [β] 35 N/mm ²	
1,3	6000-1,3-0120	120	60	9.9	9.9	12.8	375	
			80	13.0	13.0	13.0		
			100	13.0	13.0	13.0		
	6000-1,3-0240	240	60	9.9	9.9	12.8	735	
			80	13.0	13.0	13.0		
			100	13.0	13.0	13.0		
2,5	6000-2,5-0170	170	80	18.4	18.4	23.8	525	
			100	23.0	23.0	25.0		
			120	25.0	25.0	25.0		
	6000-2,5-0280	280	80	18.4	18.4	23.8	855	
			100	23.0	23.0	25.0		
			120	25.0	25.0	25.0		
4,0	6000-4,0-0240	240	120	35.6	35.6	40.0	745	
			140	40.0	36.0	40.0		
			160	40.0	38.5	40.0		
	6000-4,0-0340	340	100	29.6	29.6	38.2	1045	
			120	35.6	35.6	40.0		
			140	40.0	40.0	40.0		
5,0	6000-5,0-0240	240	160		45.2	50.0	735	
			180	50.0	48.0	50.0		
			200	50.0	50.0	50.0		
	6000-5,0-0340	340	120	39.5	39.5	50.0	1035	
			140	46.1	46.1	50.0		
			160	50.0	50.0	50.0		
	6000-5,0-0480	480	100	32.9	32.9	42.5	1455	
			120	39.5	39.5	50.0		
			140	46.1	46.1	50.0		
7,5	6000-7,5-0300	300	160	63.2	56.6	75.0	910	
			180	71.1	60.0	75.0		
			200	75.0	63.2	75.0		
	6000-7,5-0540	540	140	55.3	55.3	71.4	1630	
			160	63.2	63.2	75.0		
			180	71.1	71.1	75.0		

Min. wall height = Lifting anchor length l + k (see page 27) + required concrete cover below foot
 f_{ci} = concrete cube strength at time of lifting

DEHA SPHERICAL HEAD LIFTING ANCHOR SYSTEM

Spherical Head Anchor

Load capacity of spherical head anchors in walls with stressed reinforcement



- ① Diagonal pull at $30^\circ \leq \beta \leq 60^\circ$ without reinforcement is only allowed for:
 $f_{ci} \geq 15 \text{ N/mm}^2$ and 3 times minimum wall thickness $2 \times e_r$
 $f_{ci} \geq 25 \text{ N/mm}^2$ and 2.5 times minimum wall thickness $2 \times e_r$
 $f_{ci} \geq 35 \text{ N/mm}^2$ and 2 times minimum wall thickness $2 \times e_r$
- ② With a concrete strength of $f_{ci} \geq 23 \text{ N/mm}^2$ is $F_S = F_Z$
- ③ Diagonal pull with cables/chains spread of $\beta > 60^\circ$ is not permitted!

continued; load capacity of spherical head anchors in walls with stressed reinforcement (load class 10,0 – 45,0)

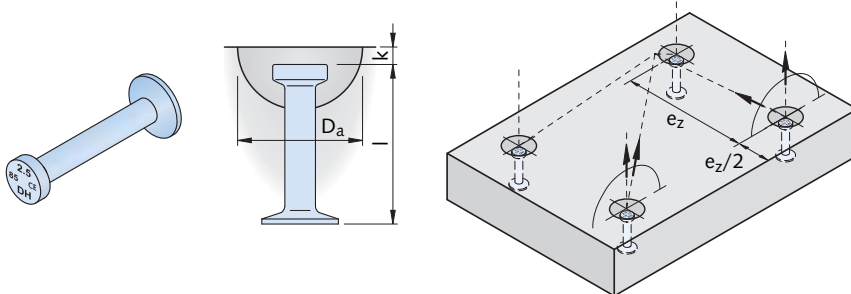
Load class	Article number	Anchor length l [mm]	Wall thickness $2 \times e_r$ [mm]	Load capacity [kN] at concrete strength f_{ci} for				Axial spacing of anchors e_z [mm]	
				Axial pull up to 30° [β]	Diagonal pull up to 60° [β]	Axial pull and diagonal pull up to 60° [β]	Axial pull and diagonal pull up to 60° [β]		
				15 N/mm ²	15 N/mm ²	25 N/mm ²	35 N/mm ²		
10,0	6000-10,0-0340	340	200	89.5	71.6	100.0	100.0	1030	
			240	98.0	78.4				
			280	100.0	84.7				
	6000-10,0-0680	680	160	73.7	73.7	95.2	100.0		2050
			180	83.0	83.0				
			200	92.2	92.2				
15,0	6000-15,0-0400	400	300	128.9	103.1	150.0	150.0	1200	
			400	148.9	119.1				
			500	150.0	133.1				
	6000-15,0-0840	840	200	111.9	111.9	144.5	150.0		2520
			220	123.1	123.1				
			240	134.2	134.2				
20,0	6000-20,0-0500	500	300	162.1	129.7	200.0	200.0	1490	
			400	175.1	140.1				
			500	187.2	149.7				
			600	200.0	183.4				
	6000-20,0-1000	1000	240	154.9	154.9	199.9	200.0		3000
			260	167.8	167.8				
280			180.7	180.7					
32,0	6000-32,0-0700	700	450	282.6	226.1	320.0	320.0	2080	
			550	312.5	250.0				
			650	320.0	271.8				
	6000-32,0-1200	1200	300	266.7	266.7	320.0	320.0		3580
			350	311.1	311.1				
			400	320.0	320.0				
45,0	6000-45,0-1200	1200	400	355.5	355.5	450.0	450.0	3580	
			500	444.4	421.6				
			600	450.0	450.0				

Minimum wall height = Lifting anchor length l + k + required concrete cover below foot
 f_{ci} = concrete cube strength at time of lifting

DEHA SPHERICAL HEAD LIFTING ANCHOR SYSTEM

Spherical Head Anchor

Dimensions of spherical head anchors for slabs



Required reinforcement **1**, reinforcement **4** only with diagonal pull → see table on page 22 "reinforcement in walls".

Dimensions of spherical head anchors

Load class	Article number mill finish	Order no. 0735.010-	Article number hot-dip galvanized	Order no. 0735.-	l [mm]	k [mm]	D _a [mm]
1,3	6000-1,3-0040	00002	6000-1,3-0040 FV	200-00067	40	10	60
	6000-1,3-0050	00003	6000-1,3-0050 FV	200-00068	50		
	6000-1,3-0065	00005	6000-1,3-0065 FV	200-00070	65		
	6000-1,3-0085	00006	6000-1,3-0085 FV	200-00071	85		
	6000-1,3-0120	00007	6000-1,3-0120 FV	200-00072	120		
2,5	6000-2,5-0055	00016	6000-2,5-0055 FV	200-00081	55	11	74
	6000-2,5-0065	00017	6000-2,5-0065 FV	200-00082	65		
	6000-2,5-0085	00018	6000-2,5-0085 FV	200-00083	85		
	6000-2,5-0120	00019	6000-2,5-0120 FV	200-00084	120		
	6000-2,5-0170	00020	6000-2,5-0170 FV	200-00085	170		
4,0	6000-4,0-0075	00023	6000-4,0-0075 FV	200-00088	75	15	94
	6000-4,0-0100	00024	6000-4,0-0100 FV	200-00089	100		
	6000-4,0-0170	00027	6000-4,0-0170 FV	200-00091	170		
	6000-4,0-0210	00028	6000-4,0-0210 FV	200-00092	210		
5,0	6000-5,0-0085	00035	6000-5,0-0085 FV	200-00098	85	15	94
	6000-5,0-0095	00036	6000-5,0-0095 FV	010-00172	95		
	6000-5,0-0120	00038	6000-5,0-0120 FV	200-00100	120		
	6000-5,0-0180	00039	6000-5,0-0180 FV	200-00101	180		
	6000-5,0-0240	00040	6000-5,0-0240 FV	010-00174	240		
7,5	6000-7,5-0100	00043	6000-7,5-0100 FV	200-00106	100	15	118
	6000-7,5-0120	00046	6000-7,5-0120 FV	200-00107	120		
	6000-7,5-0140	00047	6000-7,5-0140 FV	200-00108	140		
	6000-7,5-0165	00049	6000-7,5-0165 FV	200-00110	165		
	6000-7,5-0200	00050	6000-7,5-0200 FV	200-00111	200		
	6000-7,5-0300	00051	6000-7,5-0300 FV	010-00188	300		
10,0	6000-10,0-0115	00054	6000-10,0-0115 FV	200-00116	115	15	118
	6000-10,0-0135	00056	6000-10,0-0135 FV	200-00117	135		
	6000-10,0-0150	00057	6000-10,0-0150 FV	200-00118	150		
	6000-10,0-0170	00058	6000-10,0-0170 FV	200-00119	170		
	6000-10,0-0200	00059	6000-10,0-0200 FV	200-00158	200		
	6000-10,0-0250	00060	6000-10,0-0250 FV	200-00120	250		
	6000-10,0-0340	00061	6000-10,0-0340 FV	200-00121	340		
15,0	6000-15,0-0140	00063	6000-15,0-0140 FV	200-00124	140	15	160
	6000-15,0-0165	00064	6000-15,0-0165 FV	200-00125	165		
	6000-15,0-0200	00065	6000-15,0-0200 FV	200-00126	200		
	6000-15,0-0300	00066	6000-15,0-0300 FV	200-00127	300		
	6000-15,0-0400	00067	6000-15,0-0400 FV	200-00128	400		
20,0	6000-20,0-0200	00070	6000-20,0-0200 FV	200-00131	200	15	160
	6000-20,0-0240	00071	6000-20,0-0240 FV	200-00132	240		
	-	-	6000-20,0-0250 FV	200-00133	250		
	6000-20,0-0340	00074	6000-20,0-0340 FV	200-00134	340		
	6000-20,0-0500	00075	6000-20,0-0500 FV	200-00135	500		
32,0	6000-32,0-0200	00077	6000-32,0-0200 FV	200-00137	200	23	214
	6000-32,0-0250	00078	6000-32,0-0250 FV	200-00138	250		
	6000-32,0-0280	00079	6000-32,0-0280 FV	200-00139	280		
	6000-32,0-0320	00080	6000-32,0-0320 FV	200-00140	320		

Other lengths and stainless steel anchors on request

DEHA SPHERICAL HEAD LIFTING ANCHOR SYSTEM

Spherical Head Anchor

Load capacity of spherical head anchors in slabs for any direction of pull												
Load class	Article number	Load capacity [kN] for minimal slab thickness					Load capacity [kN] for normal slab thickness					Axial spacing of anchors e_z [mm]
		Slab thickness B_2 [mm]	Concrete strength f_{ci} for				Slab thickness B_3 [mm]	Concrete strength f_{ci} for				
			Axial pull up to $\beta = 30^\circ$	Diagonal pull up to $\beta = 60^\circ$ ②	Axial pull and diagonal pull up to $\beta = 60^\circ$			Axial pull up to $\beta = 30^\circ$	Diagonal pull up to $\beta = 60^\circ$ ②	Axial pull and diagonal pull up to $\beta = 60^\circ$		
15 N/mm ²	15 N/mm ²	25 N/mm ²	35 N/mm ²	15 N/mm ²	15 N/mm ²	25 N/mm ²	35 N/mm ²	15 N/mm ²	15 N/mm ²	25 N/mm ²	35 N/mm ²	
1,3	6000-1,3-0040	75	3.0	2.4	3.9	4.6	90	3.8	3.0	4.9	5.7	180
	6000-1,3-0050	85	10.1	10.1	13.0	13.0	110	12.0	10.4			220
	6000-1,3-0065	100	13.0	11.1	13.0	13.0	140					260
	6000-1,3-0085	120	13.0	13.0	13.0	13.0	180	13.0	13.0	13.0	13.0	315
	6000-1,3-0120	155	13.0	13.0	13.0	13.0	250					375
2,5	6000-2,5-0055	90	4.7	3.8	6.1	7.2	120	5.6	4.5	7.2	8.6	240
	6000-2,5-0065	100	13.8	13.8	17.8	21.1	140	17.0	17.0	22.0		285
	6000-2,5-0085	120	19.5	19.5	25.0	25.0	180		20.1		25.0	325
	6000-2,5-0120	155	25.0	22.8	25.0	25.0	250	25.0	25.0	25.0		410
	6000-2,5-0170	205	25.0	25.0	25.0	25.0	350		25.0			520
4,0	6000-4,0-0075	115	17.5	17.5	22.6	26.8	165	22.2	22.2	28.7	33.9	325
	6000-4,0-0100	140	25.3	25.3	32.7	38.6	215	33.6	32.0			350
	6000-4,0-0170	210	40.0	40.0	40.0	40.0	355			40.0	40.0	565
	6000-4,0-0210	250	40.0	40.0	40.0	40.0	435	40.0	40.0			650
	6000-5,0-0085	125	20.1	20.1	26.0	30.8	180	25.7	25.7	33.1	39.2	360
5,0	6000-5,0-0095	135	23.3	23.3	30.0	35.5	200	30.2	30.2	39.0	46.2	400
	6000-5,0-0120	160	31.7	31.7	41.0	48.5	250	42.7	40.0			475
	6000-5,0-0180	220	50.0	44.4	50.0	50.0	370			50.0	50.0	630
	6000-5,0-0240	280	50.0	50.0	50.0	50.0	490	50.0	50.0			735
	6000-7,5-0100	140	24.5	24.5	31.6	37.4	205	31.6	31.6	40.9	48.3	415
7,5	6000-7,5-0120	160	31.3	31.3	40.4	47.8	245	41.7	41.7	53.8	63.6	490
	6000-7,5-0140	180	38.6	38.6	49.9	59.0	285	52.6	52.6	67.9	75.0	550
	6000-7,5-0165	205	48.6	48.6	62.7	74.2	335	67.6	60.0			620
	6000-7,5-0200	240	63.8	60.0	75.0	75.0	405	75.0	72.4	75.0	75.0	710
	6000-7,5-0300	340	75.0	75.0	75.0	75.0	605		75.0			910
10,0	6000-10,0-0115	155	29.1	29.1	37.5	44.4	230	38.0	38.0	49.1	58.1	470
	6000-10,0-0135	175	36.3	36.3	46.8	55.4	270	48.7	48.7	62.9	74.4	550
	6000-10,0-0150	190	42.0	42.0	54.3	64.2	300	57.3	57.3	73.9	87.5	590
	6000-10,0-0170	210	50.2	50.2	64.8	76.6	340	69.4	69.4	89.6	100.0	655
	6000-10,0-0200	240	63.2	63.2	81.7	96.6	400	89.2	80.0			730
	6000-10,0-0250	290	87.3	80.0	100.0	100.0	500			100.0	100.0	890
	6000-10,0-0340	380	100.0	100.0	100.0	100.0	680	100.0	100.0			1025
15,0	6000-15,0-0140	180	37.5	37.5	48.4	57.2	275	49.8	49.8	64.3	76.1	560
	6000-15,0-0165	205	47.3	47.3	61.1	72.3	325	64.5	64.5	83.2	98.5	640
	6000-15,0-0200	240	62.4	62.4	80.6	95.3	395	87.2	87.2	112.5	133.1	730
	6000-15,0-0300	340	113.0	113.0	145.8	150.0	595	150.0	131.3	150.0	150.0	1020
	6000-15,0-0400	440	150.0	138.6	150.0	150.0	795		150.0			1195
20,0	6000-20,0-0200	240	61.6	61.6	79.5	94.1	390	85.1	85.1	109.9	130.0	780
	6000-20,0-0240	280	80.5	80.5	103.9	122.9	470	113.7	113.7	146.7	173.6	900
	6000-20,0-0340	380	134.9	134.9	174.2	200.0	670	196.9	160.0	200.0	200.0	1175
	6000-20,0-0500	540	200.0	192.6	200.0	200.0	990	200.0	200.0			1485
32,0	6000-32,0-0200	248	62.4	62.4	80.5	95.3	385	83.8	83.8	108.1	127.9	800
	6000-32,0-0250	298	86.4	86.4	111.5	132.0	485	119.7	119.7	154.5	182.9	1000
	6000-32,0-0280	328	102.1	102.1	131.8	155.9	545	143.4	143.4	185.1	219.0	1065
	6000-32,0-0320	368	124.4	124.4	160.6	190.0	625	177.2	177.2	228.8	270.7	1120

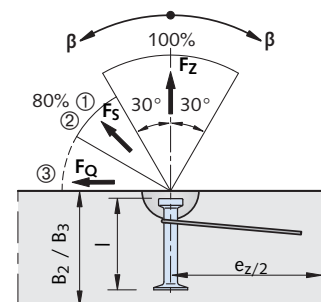
- required reinforcement: minimal structural reinforcement
- for B_2 the minimum concrete cover for the anchor foot is 25 mm
- the slab thickness is = 2 times anchoring depth for B_3
- slabs thinner than B_2 are only possible with suitable corrosion protection

- linear interpolation is allowed between B_2 and B_3
- see ① for diagonal pull loads
- f_{ci} = concrete cube strength at time of lifting

- ① Diagonal pull of $30^\circ \leq \beta \leq 60^\circ$ without diagonal pull reinforcement is only allowed for:
- $f_{ci} \geq 15 \text{ N/mm}^2 + 3 \text{ times min. edge distance } e_z / 2$
 - $f_{ci} \geq 25 \text{ N/mm}^2 + 2,5 \text{ times min. edge distance } e_z / 2$
 - $f_{ci} \geq 35 \text{ N/mm}^2 + 2 \text{ times min. edge distance } e_z / 2$
- ② With a concrete strength $f_{ci} \geq 23 \text{ N/mm}^2$ is $F_Q = F_5 = F_Z$
- ③ Diagonal pull with cables/chains spread of $\beta > 60^\circ$ is not permitted!

Required reinforcement 4 only with diagonal pull → see table on page 22 "reinforcement in walls".

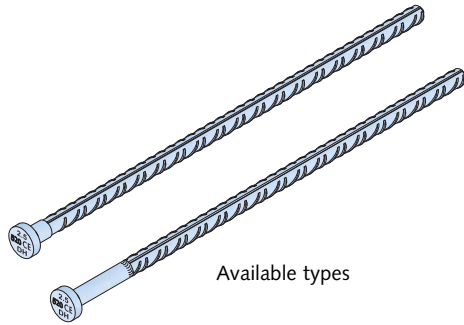
⚠ The slab must be designed for the "load-case" transport



DEHA SPHERICAL HEAD LIFTING ANCHOR SYSTEM

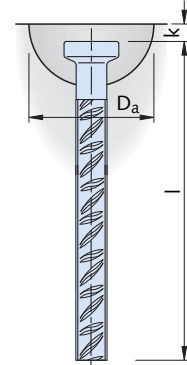
Spherical Head Rod Anchor

Dimensions of spherical head rod anchors



Available types

The spherical head rod anchor is designed for use in very thin walls, in reinforced beams or prefabricated garages. The anchor may also be used to transport prefabricated masonry panels.



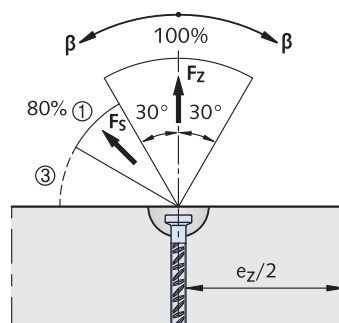
Dimensions of spherical head rod anchors

Load class	Article number mill finish	Order no. 0735.070-	Article number hot-dip galvanized	Order no. 0735.070-	l [mm]	k [mm]	D _a [mm]
2,5	6050-2,5-0400	00002	6050-2,5-0400 FV	00030	400	11	74
	6050-2,5-0520	00003	6050-2,5-0520 FV	00031	520		
5,0	6050-5,0-0580	00007	6050-5,0-0580 FV	00159	580	15	94
	6050-5,0-0900	00008	6050-5,0-0900 FV	00036	900		
7,5	6050-7,5-0750	00009	6050-7,5-0750 FV	00037	750	15	118
	6050-7,5-1150	00010	6050-7,5-1150 FV	00038	1150		
10,0	6050-10,0-0870	00011	6050-10,0-0870 FV	00039	870	15	118
	6050-10,0-1300	00012	6050-10,0-1300 FV	00040	1300		
15,0	6050-15,0-1080	00013	6050-15,0-1080 FV	00041	1080	15	160
	6050-15,0-1550	00014	6050-15,0-1550 FV	00042	1550		

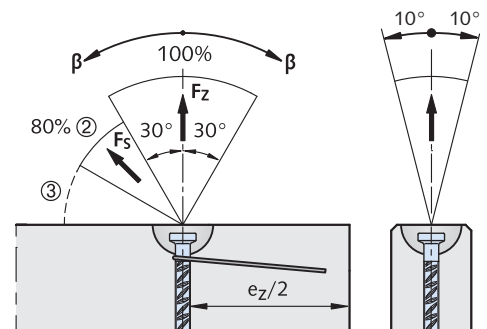
① Other lengths on request

A concentrated load in the foot of the anchor in very thin precast elements is not desirable. It is more efficient to transfer the anchor loads only through the rebar ribs into the precast concrete.

Without diagonal pull reinforcement



With diagonal pull reinforcement



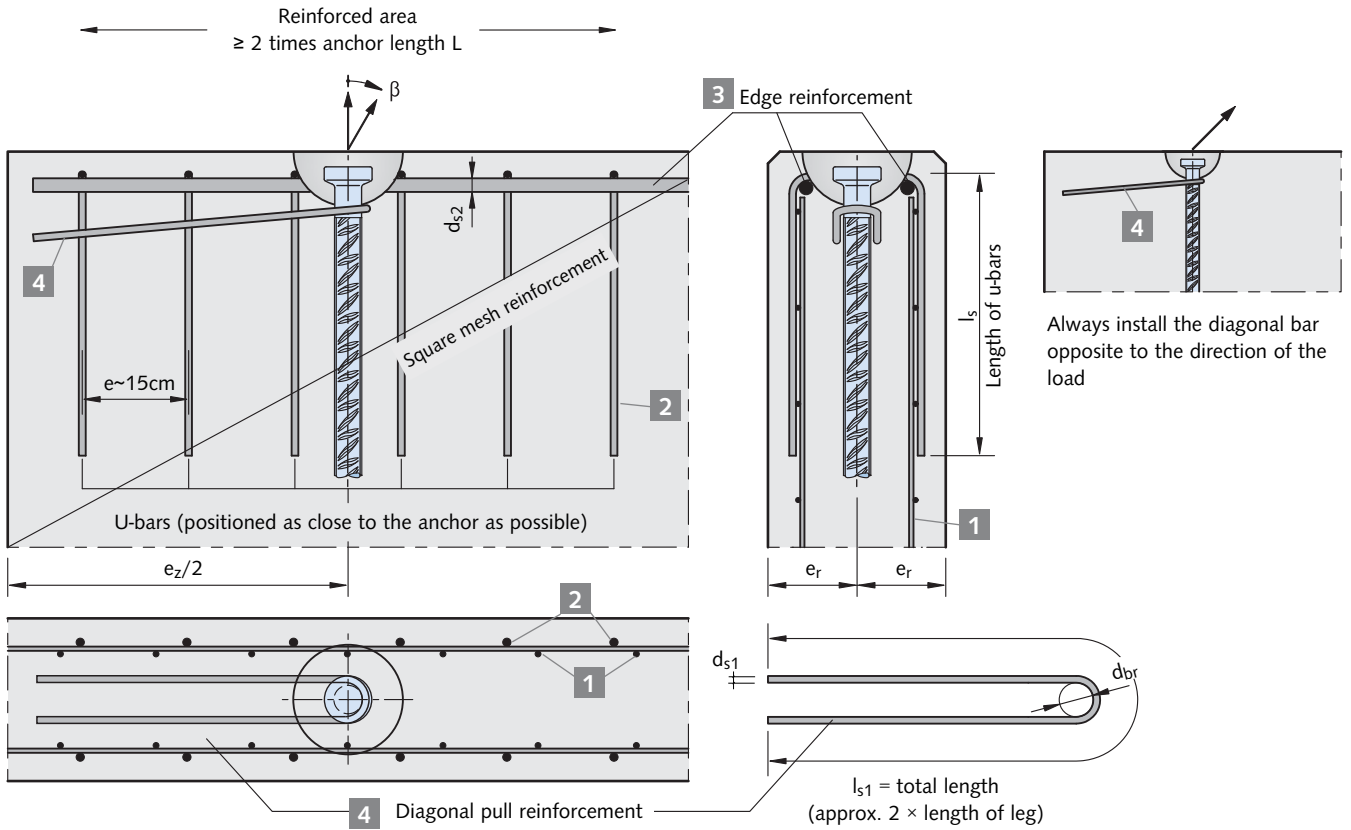
- ① Diagonal pull with $30^\circ < \beta \leq 60^\circ$ without reinforcement is only allowed for:
 - $f_{ci} \geq 15 \text{ N/mm}^2 + 3\text{-times minimum element thickness } 2 \times e_r$
 - $f_{ci} \geq 25 \text{ N/mm}^2 + 2.5\text{-times minimum element thickness } 2 \times e_r$
 - $f_{ci} \geq 35 \text{ N/mm}^2 + 2\text{-times minimum element thickness } 2 \times e_r$
- ② For concrete strength $f_{ci} \geq 23 \text{ N/mm}^2$ is $F_s = F_z$
- ③ Diagonal pull with cables/chain spread $\beta > 60^\circ$ is not permitted.

⚠ The diagonal reinforcement has to be placed as close as possible under the recess former and must be installed with full contact to the anchor.

DEHA SPHERICAL HEAD LIFTING ANCHOR SYSTEM

Spherical Head Rod Anchor

Load capacity and reinforcement of spherical head rod anchors



Reinforcement and load capacity for the spherical head anchor

Load class	Article-number	Element thickness	Anchors axial spacing		1 Square mesh reinforcement	2 U-bar stirrups		3 Axial pull < 30° [β]				4 Diagonal pull < 60° [β]			
			2 × e _r [mm]	e _z [mm]		d _{s2} [mm]	a ₁ [mm]	Allowable load capacity [kN] at concrete strength f _{ci}		Diagonal reinforcement			Allowable load capacity [kN] at concrete strength f _{ci}		
								15 N/mm ²	25 N/mm ²	d _{s1} [mm]	l _{s1} [mm]	d _{br} [mm]	15 N/mm ²	25 N/mm ²	
2,5	6050-2,5-0400	80	920	2 × 100	8 × 610	90	-	25.0	25.0	10	600	24	20.0	25.0	
	6050-2,5-0520	100			-			25.0	25.0				20.0	25.0	
5,0	6050-5,0-0580	100	1350	2 × 140	10 × 720	120	2 Ø 12	40.9	50.0	12	1000	34	32.7	50.0	
		120			10 × 720			44.2	50.0				35.4	50.0	
		140			-			47.1	50.0				37.7	50.0	
		160			-			50.0	50.0				40.0	50.0	
6050-5,0-0900	120	1750	2 × 160	10 × 820	140	2 Ø 12	50.0	50.0	20	1000	41	40.0	50.0		
	140			10 × 720			66.1	75.0				52.9	75.0		
	160			-			70.1	75.0				56.1	75.0		
6050-7,5-1150	140	2050	2 × 180	10 × 880	160	2 Ø 14	75.0	75.0	25	1100	49	60.0	75.0		
	160			10 × 800			100.0	100.0				80.0	100.0		
6050-10,0-1300	140	2500	2 × 240	12 × 1020	200	2 Ø 14	150.0	150.0	25	1100	70	120.0	150.0		
	160			12 × 1200			150.0	150.0				120.0	150.0		

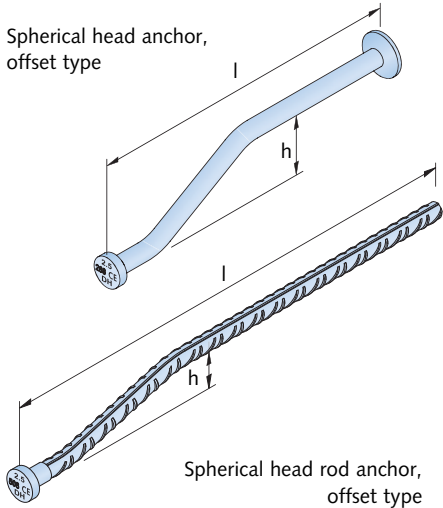
β ≤ 30° is preferred

① No u-bars required if element thickness is 2 × e_r > a₁ f_{ci} = concrete cube strength at time of lifting

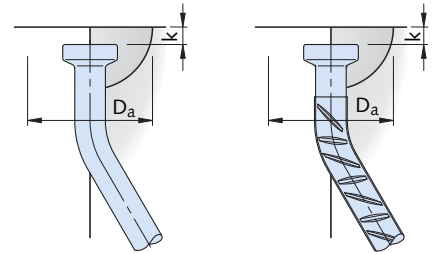
DEHA SPHERICAL HEAD LIFTING ANCHOR SYSTEM

Spherical Head Anchor and Spherical Head Rod Anchor, Offset Type

Dimensions of spherical head anchor and spherical head rod anchor, offset type



The offset spherical head anchor only differs from the standard spherical head anchor as it is bent. The special shape allows the anchor to be used in multi-layer elements. In special cases the offset spherical head anchor can be used in thin shell elements, for example in precast garages or sandwich panels.



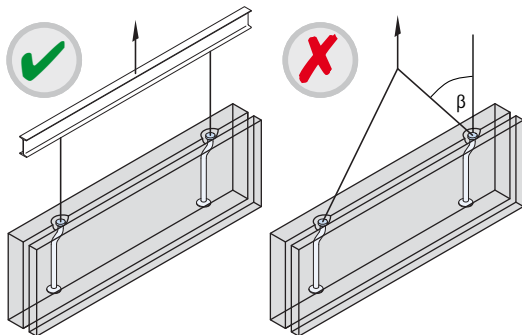
After installation the anchor head is near the centre axis of gravity. To ensure safe load anchorage the anchor foot is located in the centre of the support layer. This allows near vertical transport and installation.

Dimensions of spherical head anchor, offset type

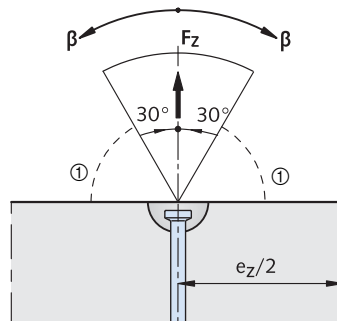
Load class	Article number mill finish	Order no. 0735.030-	Article number hot-dip galvanized	Order no. 0735.200-	l [mm]	h [mm]	k [mm]	Da [mm]
1,3	6002-1,3-0227	00001	6002-1,3-0227 FV	00053	227	50	10	60
2,5	6002-2,5-0268	00002	6002-2,5-0268 FV	00054	268	50	11	74
4,0	6002-4,0-0406	00003	6002-4,0-0406 FV	00055	406	60	15	94
5,0	6002-5,0-0466	00004	6002-5,0-0466 FV	00056	466	60	15	94
7,5	6002-7,5-0644	00005	6002-7,5-0644 FV	00057	664	70	15	118
10,0	6002-10,0-0667	00006	6002-10,0-0667 FV	00058	667	70	15	118
15,0	6002-15,0-0825	00007	6002-15,0-0825 FV	00059	825	70	15	160
20,0	6002-20,0-0986	00008	6002-20,0-0986 FV	00060	986	90	15	160

Dimensions of spherical head rod anchor, offset type

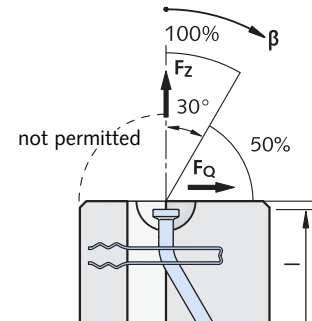
Load class	Article number mill finish	Order no. 0735.080-	Article number hot-dip galvanized	Order no. 0735.200-	l [mm]	h [mm]	k [mm]	Da [mm]
2,5	6052-2,5-0508	00002	6052-2,5-0508 FV	00024	508	50	11	74
5,0	6052-5,0-0885	00004	6052-5,0-0885 FV	00025	885	60	15	94
7,5	6052-7,5-1134	00006	6052-7,5-1134 FV	00026	1134	70	15	118
10,0	6052-10,0-1284	00008	-	-	1284	70	15	118
15,0	6052-15,0-1535	00010	6052-15,0-1535 FV	00028	1535	70	15	160



Not advisable (diagonal pull with $\beta > 30^\circ$ is not permitted)



① Lifting loads resulting from cable spread within this (angle) range is not permitted.



Using a spreader beam can help to prevent concrete spalling when precast elements are being lifted and transported or during installation.

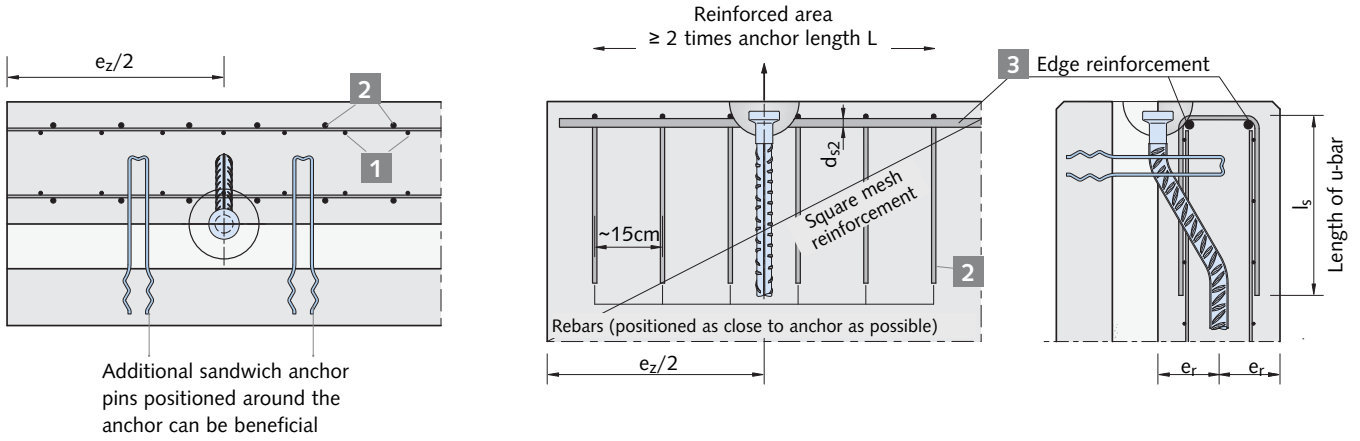
Using a short chain hoist may cause the spherical head to bend, resulting in the insulation being damaged and the concrete spalling.

⚠ A tilt-up table is recommended if casting the sandwich panel element using the face-up method.

DEHA SPHERICAL HEAD LIFTING ANCHOR SYSTEM

Spherical Head Anchor and Spherical Head Rod Anchor, Offset Type

Load capacity and reinforcement of spherical head anchor and spherical head rod anchor, offset type



Reinforcement and load capacity of spherical head anchor; offset type with axial pull $< \beta = 30^\circ$

Load class	Article number	Element thickness $2 \times e_r$ [mm]	Axial spacing e_z ① [mm]	1	2		3	Load capacity [kN] for			
				Square mesh reinforcement [mm ² /m]	U-rebar		Edge reinforcement d_{s2} [mm]	Axial pull		Transverse pull (pitching)	
					d_s [mm]	l_s [mm]		concrete strength f_{ci}			
1,3	6002-1,3-0227	80	260	2×60	$\varnothing 6$	400	$2 \times \varnothing 10$	13.0	13.0	6.5	6.5
2,5	6002-2,5-0268	100	370	2×100	$\varnothing 8$	500	$2 \times \varnothing 10$	15.9	20.3	9.5	12.2
		140						20.5	25.0	12.2	12.5
4,0	6002-4,0-0406	100	640	2×125	$\varnothing 8$	750	$2 \times \varnothing 10$	27.3	35.2	18.5	20.0
		140						35.1	40.0	20.0	
5,0	6002-5,0-0466	100	820	2×140	$\varnothing 8$	750	$2 \times \varnothing 10$	35.2	45.4	21.2	25.0
		140						45.3	50.0	25.0	
7,5	6002-7,5-0664	120	1210	2×160	$\varnothing 10$	1000	$2 \times \varnothing 12$	50.9	65.8	30.5	37.5
		150						60.2	75.0	36.0	
10,0	6002-10,0-0667	140	1220	2×180	$\varnothing 10$	1000	$2 \times \varnothing 12$	66.5	86.0	39.9	50.0
		180						80.3	100.0	48.2	
15,0	6002-15,0-0825	180	1500	2×240	$\varnothing 10$	1000	$2 \times \varnothing 16$	103.2	133.0	61.9	75.0
		220						120.0	150.0	72.0	
20,0	6002-20,0-0986	200	2030	2×350	$\varnothing 12$	1100	$2 \times \varnothing 16$	135.1	174.4	81.1	100.0
		250						159.7	200.0	95.9	

① e_z = min. axial spacing of anchors; $e_z/2$ = min. edge distance f_{ci} = concrete cube strength at time of lifting

Reinforcement and load capacity of spherical head rod anchor, offset type with axial pull $< \beta = 30^\circ$

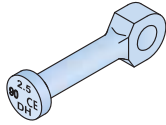
Load class	Article number	Element thickness $2 \times e_r$ [mm]	Axial spacing e_z ① [mm]	1	2		3	Load capacity [kN] for			
				Square mesh reinforcement [mm ² /m]	U-rebar		Edge reinforcement d_{s2} [mm]	Axial pull		Transverse pull (pitching)	
					d_s [mm]	l_s [mm]		concrete strength f_{ci}			
2,5	6052-2,5-0508	80	370	2×100	$\varnothing 8$	700	$2 \times \varnothing 10$	25.0	25.0	12.5	12.5
5,0	6052-5,0-0885	100	820	2×140	$\varnothing 8$	820	$2 \times \varnothing 12$	40.9	50.0	24.5	25.0
		120						44.2	50.0	25.0	
		140						47.1	50.0	25.0	
7,5	6052-7,5-1134	120	1210	2×160	$\varnothing 10$	950	$2 \times \varnothing 12$	66.1	75.0	37.5	37.5
		140						70.1	75.0	37.5	
		160						75.0	75.0	37.5	
10,0	6052-10,0-1284	140	1220	2×180	$\varnothing 10$	1000	$2 \times \varnothing 12$	100.0	100.0	50.0	50.0
15,0	6052-15,0-1535	160	1500	2×240	$\varnothing 12$	1200	$2 \times \varnothing 16$	150.0	150.0	75.0	75.0

① e_z = min. axial spacing of anchors; $e_z/2$ = min. edge distance f_{ci} = concrete cube strength at time of lifting

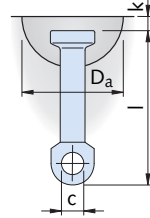
DEHA SPHERICAL HEAD LIFTING ANCHOR SYSTEM

Spherical Head Eye Anchor

Dimensions, load capacity and reinforcement for the spherical head eye anchor



In some applications the spherical head eye anchor is used with additional reinforcement to increase the load capacity of the anchor foot, mainly in thin reinforced concrete elements, e.g. in thin truss elements and beams.



Dimensions of spherical head eye anchor

Load class	Article number mill finish	Order no. 0735.050-	Article number hot-dip galvanized	Order no. 0735.200-	l [mm]	c [mm]	k [mm]	D _a [mm]
1,3	6001-1,3-0065	00001	6001-1,3-0065 FV	00061	65	10	10	60
2,5	6001-2,5-0090	00002	6001-2,5-0090 FV	00062	90	14	11	74
5,0	6001-5,0-0120	00003	6001-5,0-0120 FV	00063	120	20	15	94
10,0	6001-10,0-0180	00004	6001-10,0-0180 FV	00064	180	25	15	118
20,0	6001-20,0-0250	00005	6001-20,0-0250 FV	00065	250	38	15	160

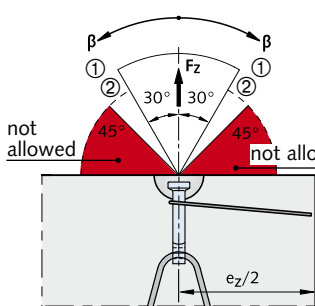
The anchor is also suitable for use in lightweight concrete; in this application the reduced bond stress must be considered.

The spherical head eye anchor is designed to transfer the entire anchor load through the reinforcement into the concrete. The additional reinforcement must be installed securely in the hole with full contact with the anchor.

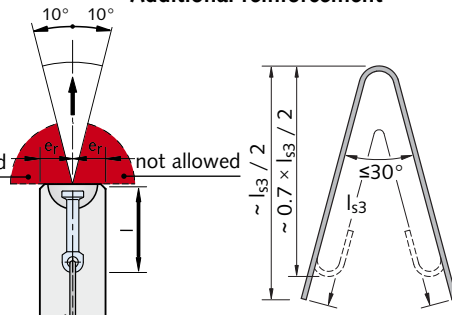
The additional reinforcement (B500B according to DIN 488) must be bent at an angle of 30° as shown. The rebar may be shortened if required. Bend the ends into hooks as in the illustration below.

- ① Diagonal pull at $30^\circ \leq \beta \leq 60^\circ$ without reinforcement is only permitted if:
 - $f_{ci} \geq 15 \text{ N/mm}^2$ and 3 times minimum wall thickness $2 \times e_r$
 - $f_{ci} \geq 25 \text{ N/mm}^2$ and 2.5 times minimum wall thickness $2 \times e_r$
 - $f_{ci} \geq 35 \text{ N/mm}^2$ and 2 times minimum wall thickness $2 \times e_r$
- ② For concrete strength $f_{ci} \geq 23 \text{ N/mm}^2$ is $F_S = F_Z$

Diagonal pull reinforcement



Additional reinforcement



Required reinforcement **4** only with diagonal pull → see table on page 22 "reinforcement in walls".

⚠ The diagonal pull reinforcement has to be placed as close as possible under the recess former and must be installed with full contact to the anchor.

Load capacity and reinforcement for the spherical head eye anchor

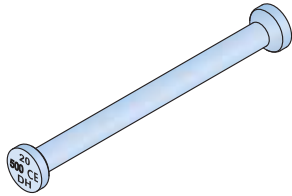
Load class	Article number	Min. element thickness $2 \times e_r$ [mm]	Axial spacing of anchors e_z [mm]	Square mesh reinforcement both sides [mm ² /m]	d_{s3} [mm]	Additional reinforcement			Load capacity (kN) for		
						Concrete strength f_{ci}			Axial pull	Diagonal pull	Axial and diagonal
						15 N/mm ²	25 N/mm ²	35 N/mm ²	up to 30° [β]	up to 45° [β]	pull up to 45° [β]
									concrete strength f_{ci}		
									15 N/mm ²	15 N/mm ²	≥ 25 N/mm ²
1,3	6001-1,3-0065	80	500	60	8	650	510	420	13.0	10.2	13.0
2,5	6001-2,5-0090	80	600	100	12	1000	800	650	25.0	20.0	25.0
5,0	6001-5,0-0120	100	750	140	16	1700	1350	1100	50.0	40.0	50.0
10,0	6001-10,0-0180	140	1200	180	20	2000	1600	1300	100.0	80.0	100.0
20,0	6001-20,0-0250	180	1500	240	32	3000	2400	1950	200.0	160.0	200.0

f_{ci} = concrete cube strength at time of lifting

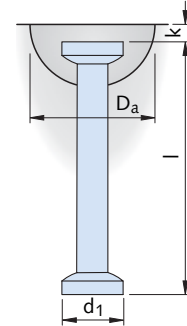
DEHA SPHERICAL HEAD LIFTING ANCHOR SYSTEM

Double-headed Transport Anchor

Dimensions, load capacity and reinforcement for narrow foot spherical head anchors



The narrow foot spherical head anchor is specially designed for use in pre-stressed beams with minimal truss thickness but high concrete compressive strength. They are easily distinguishable as the foot in the spherical head anchor is smaller than the standard foot.

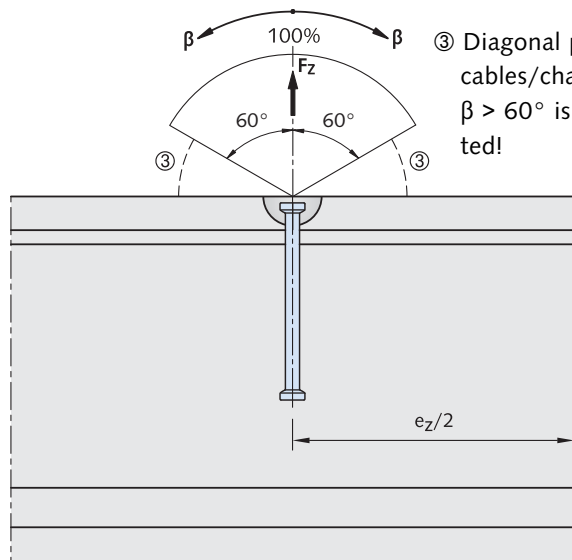
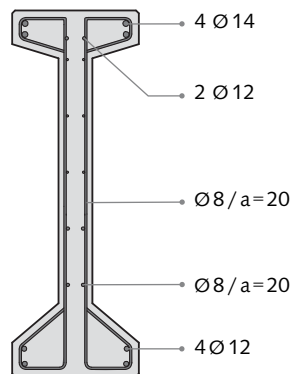
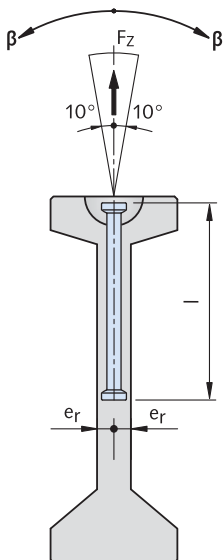


Dimensions of narrow foot spherical head anchors								
Load class	Article number mill finish	Order no. 0735.018-	Article number hot-dip galvanized	Order no. 0735.208-	l [mm]	d ₁ [mm]	k [mm]	D _a [mm]
10,0	6000-10,0-0340D	00056	6000-10,0-0340D FV	00056	340	46	15	118
15,0	6000-15,0-0400D	00057	6000-15,0-0400D FV	00057	400	69	15	160
20,0	6000-20,0-0500D	00067	6000-20,0-0500D FV	00067	500	69	15	160
32,0	6000-32,0-0700D	00058	6000-32,0-0700D FV	00058	700	88	23	214

Minimum reinforcement is shown in the illustration below. The existing reinforcement can be taken into account for calculation. Reinforcement for diagonal pull is not required. **The double headed anchor can not be used in concrete with a compression strength under 40 N/mm².**

Load capacities for axial pull and diagonal pull up to 60° [β]					
Load class	Article number	Min. web thickness 2 × e _r [mm]	Axial spacing of anchors e _z [mm]	Axial pull and diagonal pull up to 60° [β] Load capacity [kN] concrete strength f _{ci}	
				45 N/mm ²	55 N/mm ²
10,0	6000-10,0-0340D	120	≥ 1360	88.0	98.0
		140		100.0	100.0
15,0	6000-15,0-0400D	120	≥ 1600	130.0	145.0
		140		150.0	150.0
20,0	6000-20,0-0500D	120	≥ 2000	136.0	151.0
		140		173.0	192.0
		160		197.0	200.0
32,0	6000-32,0-0700D	120	≥ 2800	189.0	210.0
		140		220.0	245.0
		160		251.0	280.0
		180		282.0	315.0

f_{ci} = concrete cube strength at time of lifting

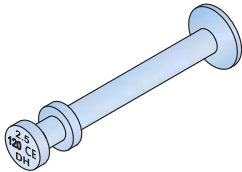


③ Diagonal pull with cables/chains spread β > 60° is not permitted!

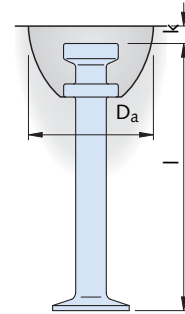
DEHA SPHERICAL HEAD LIFTING ANCHOR SYSTEM

DSM Quick Fitting Spherical Head Anchor

Dimensions and load capacity of DSM Quick fitting spherical head anchor



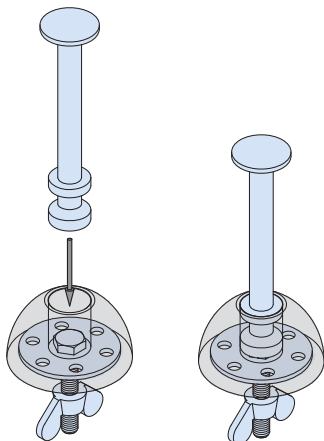
This DSM quick installation anchor can be used in situations where the recess former stays fixed to the formwork. This can be in face-up production of slabs, overhead production of utility pipes and installation in stair elements. Use a lubricant with the anchor to push into the DSM Recess former.



Dimensions of DSM Quick fitting spherical head anchor

Load class	Article number mill finish	Order no. 0735.110-	Article number hot-dip galvanized	Order no. 0735.200-	l [mm]	k [mm]	D _a [mm]
1,3	6073-1,3-0065	00005	6073-1,3-0065 FV	00001	65	10	60
	6073-1,3-0120	00004	6073-1,3-0120 FV	00002	120		
2,5	6073-2,5-0085	00001	6073-2,5-0085 FV	00003	85	11	74
	6073-2,5-0120	00002	6073-2,5-0120 FV	00004	120		
	6073-2,5-0170	00003	6073-2,5-0170 FV	00005	170		
5,0	6073-5,0-0110	00006	6073-5,0-0110 FV	00006	110	15	94
	6073-5,0-0240	00007	6073-5,0-0240 FV	00007	240		

The ring below the quick installation anchor head seals the recess former and simultaneously secures the anchor in position. The recess formers (article numbers 6126, 6127 and 6128) are specially adapted to the quick installation anchor head. The dimensions are the same as the spherical head anchor and allow continued use of the universal head and the turning and lifting link.

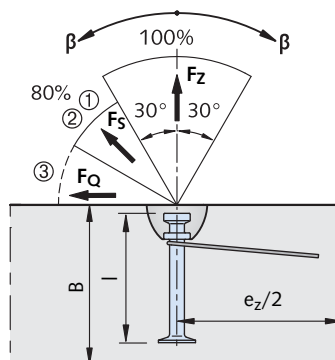


Load capacity when lifting slabs with any direction of pull

Load class	Article number	Anchor length l [mm]	slab thickness B _{min} [mm]	Axial anchors spacing e _z [mm]	Load capacity [kN] for			
					Axial pull up to 30° [β]	Diagonal pull up to 60° [β]	Axial pull and diagonal pull up to 60° [β]	
					15 N/mm ²	25 N/mm ²	35 N/mm ²	
1,3	6073-1,3-0065	65	100	≥ 260	13.0	10.4	13.0	13.0
2,5	6073-2,5-0085	85	120	≥ 325	19.5	15.6	25.0	25.0
5,0	6073-5,0-0110	110	150	≥ 450	29.5	23.6	38.1	45.1

f_{ci} = concrete cube strength at time of lifting

- ① Diagonal pull at 30° ≤ β ≤ 60° without reinforcement is only permitted for:
 - f_{ci} ≥ 15 N/mm² and 3 times minimum edge distance e_z/2
 - f_{ci} ≥ 25 N/mm² and 2.5 times minimum edge distance e_z/2
 - f_{ci} ≥ 35 N/mm² and 2 times minimum edge distance e_z/2
- ② For concrete strength f_{ci} ≥ 23 N/mm² is F_Q = F_S = F_Z.
- ③ Diagonal pull with cables/chains spread β > 60° is not permitted!



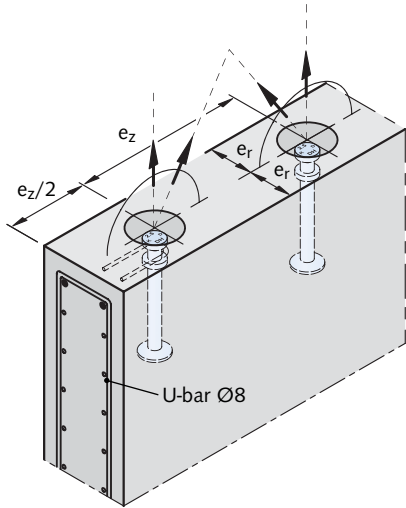
With reinforcement for diagonal pull

⚠ The slab has to be calculated for the load-case "transport".

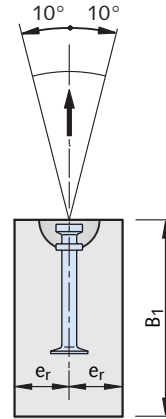
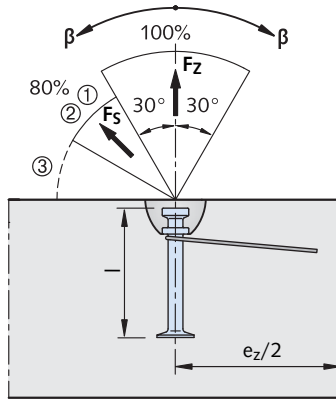
DEHA SPHERICAL HEAD LIFTING ANCHOR SYSTEM

DSM Quick Fitting Spherical Head Anchor

Load capacity of DSM Quick fitting spherical head anchor in walls and beams



With diagonal pull reinforcement



Required reinforcement **1 - 3**, reinforcement **4** only with diagonal pull → see table on page 22 "reinforcement in walls".

- ① Diagonal pull $30^\circ \leq \beta \leq 60^\circ$ without reinforcement is only permitted for:
 $f_{ci} \geq 15 \text{ N/mm}^2$ and 3 times min. wall thickness $2 \times e_r$
 $f_{ci} \geq 25 \text{ N/mm}^2$ and 2.5 times min. wall thickness $2 \times e_r$
 $f_{ci} \geq 35 \text{ N/mm}^2$ and 2 times min. wall thickness $2 \times e_r$
- ② For concrete strength $f_{ci} \geq 23 \text{ N/mm}^2$ is $F_S = F_Z$.
- ③ Diagonal pull with cables/chains spread $\beta > 60^\circ$ is not permitted!

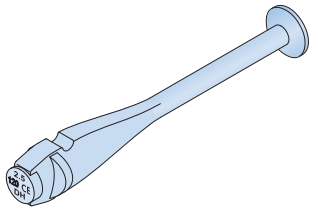
Load capacity when transporting walls and beams										
Load class	Article number	Anchor length l [mm]	Beam height B1 min [mm]	Min. wall thickness or beam width $2 \times e_r$ [mm]	Axial anchor spacing e_z [mm]	Load capacity [kN] for				
						Axial pull up to 30° [β] 15 N/mm ²	Diagonal pull up to 60° [β] 15 N/mm ²	Axial pull and Diagonal pull up to 60° [β] concrete strength f_{ci}		
						25 N/mm ²	35 N/mm ²			
1,3	6073-1,3-0120	120	250	80	≥ 300	13.0	10.7	13.0	13.0	
				100			12.7			
				120			13.0			
2,5	6073-2,5-0120	120	250	120	≥ 380	18.1	14.5	23.3	25.0	
				140			16.2			25.0
				160			17.9			25.0
	6073-2,5-0170	170	350	100	≥ 380	20.7	16.5	25.0	25.0	
				120			19.0			21.8
5,0	6073-5,0-0240	240	500	200	≥ 500	45.6	36.5	50.0	50.0	
				220			39.2			
				240			41.9			
				240			41.9			

f_{ci} = concrete cube strength at time of lifting

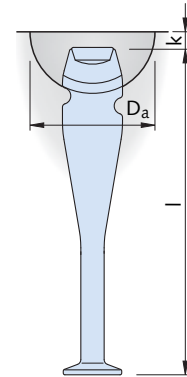
DEHA SPHERICAL HEAD LIFTING ANCHOR SYSTEM

Spherical Head Pitching Anchor

Dimensions, load capacity and reinforcement of spherical head pitching anchor

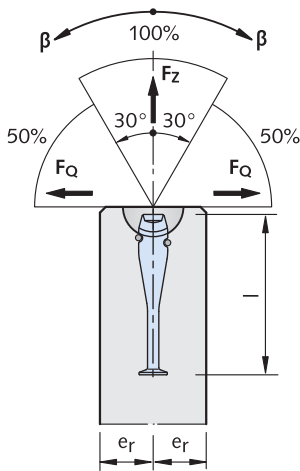


The spherical head pitching anchors are used to tilt and transport thin concrete wall or beam elements. They are especially suitable if a tilt-up table is not used for production. The universal head lifting link can be used for this anchor head as the head design is identical to the spherical head anchor.

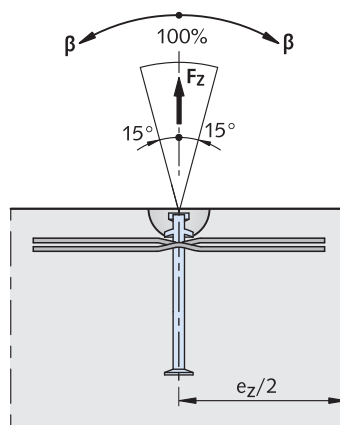


Dimensions of spherical head pitching anchors							
Load class	Article number mill finish	Order no. 0735.120-	Article number hot-dip galvanized	Order no. 0735.200-	l [mm]	k [mm]	D _a [mm]
2,5	6006-2,5-0240 WB	00001	6006-2,5-0240 FV	00151	240	11	74
5,0	6006-5,0-0240 WB	00002	6006-5,0-0240 FV	00152	240	15	94

Pitching



Transport



Required reinforcement **1 - 3**. Pitching reinforcement is used instead of diagonal pull reinforcement → see table on page 22 "reinforcement in walls".

Load capacity and reinforcement for the spherical head pitching anchor

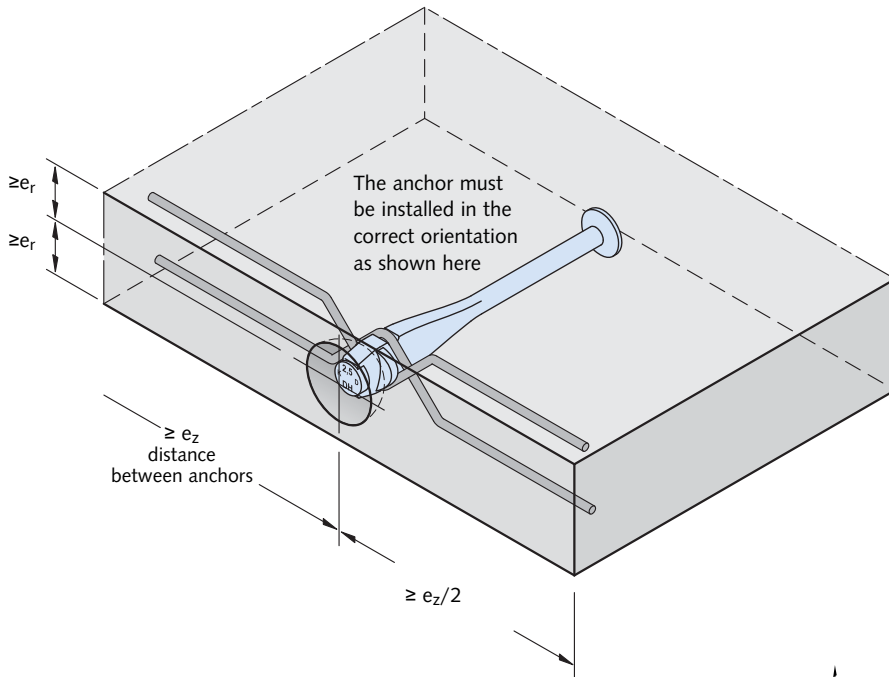
Load class	Article number	Element thickness 2 × e _r [mm]	Axial anchor spacing e _z [mm]	Square mesh reinforcement [mm ² /m]	Tilt-up reinforcement BST 500 S		Load capacity [kN] for			
					d _s [mm]	l _s [mm]	Transverse pull (pitching)		Axial pull and diagonal pull up to 15° [β]	
							15 N/mm ²	25 N/mm ²	15 N/mm ²	25 N/mm ²
2,5	6006-2,5-0240	100	1530	2 × 125	Ø 12	800	7.8	10.1	22.2	25.0
		110					9.0	11.6	23.8	
		120					10.3	12.5	25.0	
		130					11.6	12.5	25.0	
		140					12.5	12.5	25.0	
5,0	6006-5,0-0240	120	1530	2 × 140	Ø 16	1000	13.8	17.8	31.2	40.0
		130					14.6	18.8	33.1	42.7
		140					15.6	20.1	35.0	45.2
		150					17.3	22.3	36.8	47.5
		160					19.1	24.6	38.7	50.0
		180					20.9	25.0	42.2	50.0
		200					22.6	25.0	45.7	50.0

f_{ci} = concrete cube strength at time of lifting

DEHA SPHERICAL HEAD LIFTING ANCHOR SYSTEM

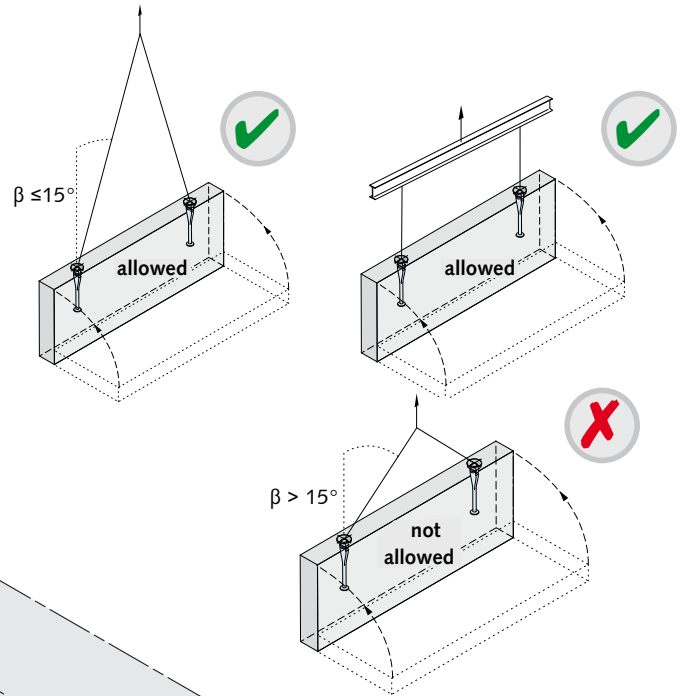
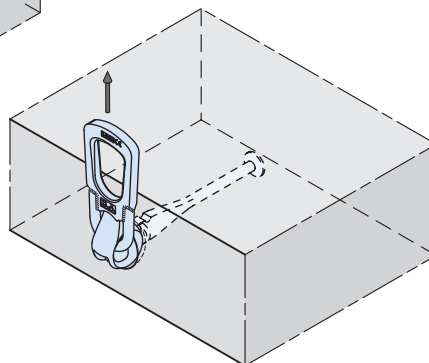
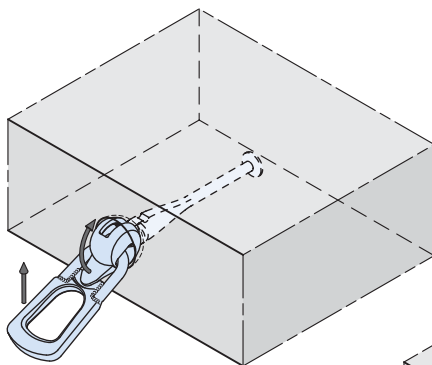
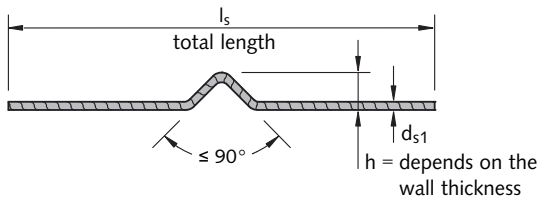
Spherical Head Pitching Anchor

Installation and use



The main reinforcement and the additional reinforcement should be installed symmetrically to allow subsequent tilting in both directions. Observe the correct orientation when installing the pitching anchor. The pitching anchor is cast-in with a special recess former (article no. 6134-load class). After the concrete has set the recess former is removed and the universal head link is attached. Ensure that the tongue on the lifting link points in the load direction (see illustration at bottom of page). The universal lifting link can be used for tilting and transporting. The special design of the universal lifting link ensures that the link rests solely on the anchor and not on the concrete.

The pitching reinforcement is placed in the anchor notch

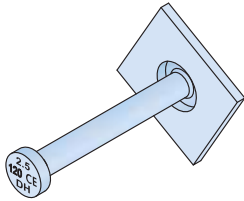


! The pitching anchor is allowed only for axial or transverse loading. Diagonal pull $\beta > 15^\circ$ is not allowed. A spreader beam must be used when tilting with $\beta > 15^\circ$.

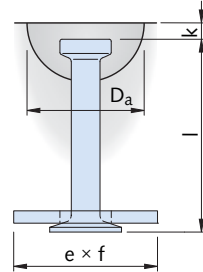
DEHA SPHERICAL HEAD LIFTING ANCHOR SYSTEM

Spherical Head Plate Anchor

Dimensions, load capacity and reinforcement of spherical head plate anchor



This anchor is recommended for all large surface, thin, precast elements that are lifted perpendicular to their main face (slabs and shell elements). This anchor can also be used in elements when the standard short spherical head anchor does not provide sufficient anchorage.



Dimensions of spherical head plate anchors

Load class	Article number mill finish	Order no. 0735.060-	Article number hot-dip galvanized	Order no. 0735.200-	l [mm]	e x f [mm]	k [mm]	Da [mm]
2,5	6010-2,5-0055	00001	6010-2,5-0055 FV	00043	55	70x70	11	74
	6010-2,5-0120	00002	6010-2,5-0120 FV	00044	120	70x70	11	74
5,0	6010-5,0-0065	00004	6010-5,0-0065 FV	00046	65	90x90	15	94
	6010-5,0-0110	00007	6010-5,0-0110 FV	00047	110	90x90	15	94
7,5	6010-7,5-0100	00008	6010-7,5-0100 FV	00173	95	90x90	15	118
10,0	6010-10,0-0115	00009	6010-10,0-0115 FV	00048	115	90x90	15	118
	6010-10,0-0150	00011	6010-10,0-0150 FV	00172	150	90x90	15	118

Other load classes and anchor lengths on request

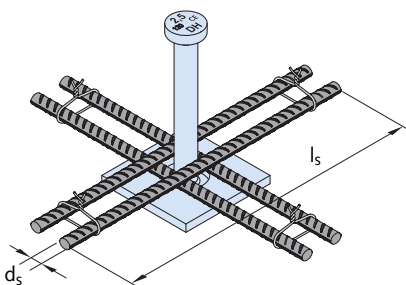
Reinforcement and load capacity with arbitrary direction of pull

Load class	Article number	Element thickness B _{min} [mm]	Axial anchor spacing e _z [mm]	Reinforcement		Load capacity [kN] F _Q = F _S = F _Z			
				d _s [mm]	l _s [mm]	at concrete strength f _{ci}			
						15 N/mm ²	25 N/mm ²	35 N/mm ²	45 N/mm ²
2,5	6010-2,5-0055	85	560	8	200	10.8	13.9	16.5	18.7
	6010-2,5-0120	150	1000	10	300	25.0	25.0	25.0	25.0
5,0	6010-5,0-0065	100	1000	12	450	16.1	20.8	24.6	27.9
	6010-5,0-0110	145	1000	12	450	33.9	43.7	50.0	50.0
7,5	6010-7,5-0100	135	1000	14	550	29.5	38.1	45.1	51.2
10,0	6010-10,0-0115	150	1280	16	600	34.6	44.7	52.8	59.9
	6010-10,0-0150	185	1280	16	600	55.9	72.1	85.3	96.7

f_{ci} = concrete cube strength at time of lifting

The minimum slab thickness B_{min} results from the anchor length, the head cover factor and the required concrete cover around the foot. Suitable measures must be taken to ensure that sufficient concrete flows under the anchor plate to prevent corrosion.

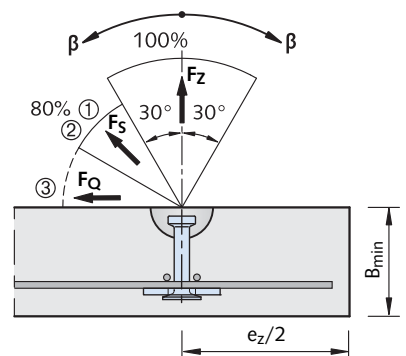
To ensure load distribution in the anchor plate, it is crucial that the plate is positioned under the main reinforcement. If this is not possible, suitable additional reinforcement must be placed over the anchor plate (see illustration below).



- ① Diagonal pull at $30^\circ \leq \beta \leq 60^\circ$ without reinforcement is only permitted for:
 - $f_{ci} \geq 15 \text{ N/mm}^2$ and 3 times minimum edge distance $2 \times e_z / 2$
 - $f_{ci} \geq 25 \text{ N/mm}^2$ and 2.5 times minimum edge distance $2 \times e_z / 2$
 - $f_{ci} \geq 35 \text{ N/mm}^2$ and 2 times minimum edge distance $2 \times e_z / 2$
- ② For concrete strength $f_{ci} \geq 23 \text{ N/mm}^2$ is $F_Q = F_S = F_Z$.
- ③ Spread of cables/chains with $\beta \geq 60^\circ$ is not permitted!

Additional reinforcement is not included in anchor delivery

⚠ The slab has to be calculated for the load-case "transport".

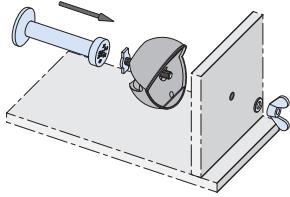


DEHA SPHERICAL HEAD LIFTING ANCHOR SYSTEM

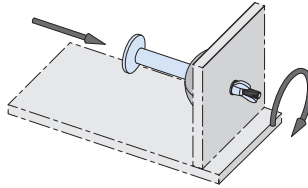
Recess Formers

Fixing the recess formers to the formwork

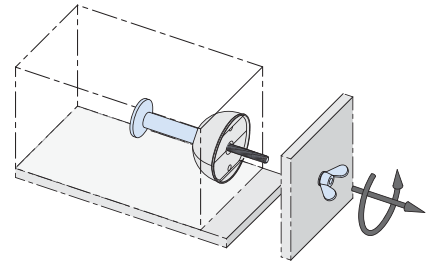
To install, place the threaded plate (article no. 6153 or 6141) and the anchor into the splayed recess former.



The recess former is subsequently attached to the formwork with a screw or with a wingnut.

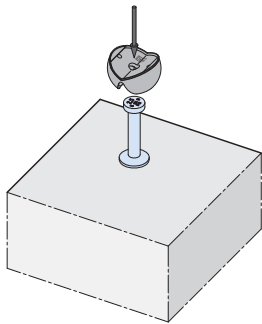


Loosen the screw or wingnut before striking the formwork.

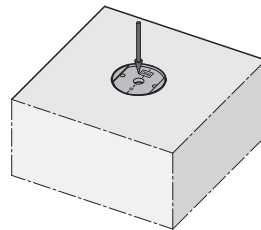
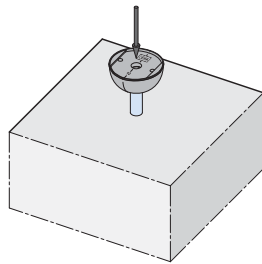


Installation in slabs

If the anchor is installed from above in wet concrete, e.g. in slab elements,

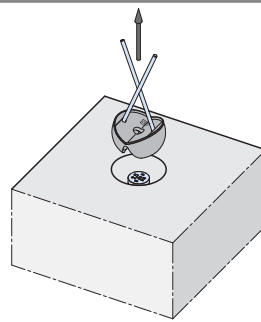
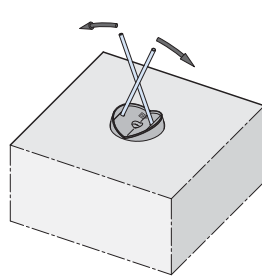
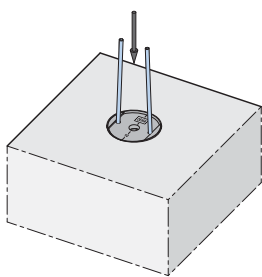


make a hole by removing a small amount of concrete with a trowel, place the recess former with the anchor in the hole.



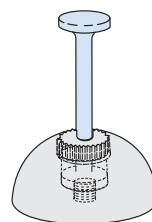
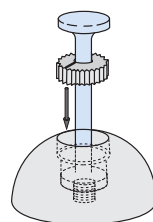
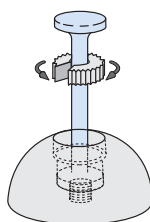
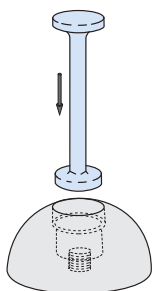
The concrete should be compacted until the upper surface of the former is flush with the surface of the concrete. To secure the anchor at the correct level, ensure that a plate (Art. No. 6141 or 6153) is inside the recess former. The anchors must be installed perpendicular to the surface. The use of formwork oil, especially inside the recess formers, eases removal and has a positive effect on the life span of the recess former.

Removal of the recess former



There are two holes in the recess former to help prise it out of the hardened concrete. Two reinforcement bars can be inserted in these holes and crossed against each other to open and remove the recess former. Excess concrete should be removed.

Spherical head anchor installation with rubber grommet in steel recess former



Slide the rubber grommet onto the anchor and press both into the hole in the steel recess former. If necessary, grease before use. Ensure the anchor is securely fitted and tied in place when the concrete is being poured.

DEHA SPHERICAL HEAD LIFTING ANCHOR SYSTEM

Rubber Recess Formers

Application of recess formers

To fix the spherical head anchor to the formwork a DEHA Recess former must be used.

This ensures simple and secure positioning of the anchor and leaves the anchor ready for the correct universal head lifting link.

The rubber recess former keeps its shape even when heated up to 120°C or in contact with oil. It can be used repeatedly.

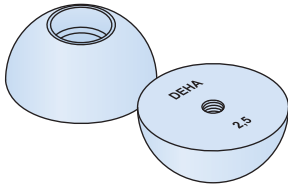
Rubber recess former, round									
Load class	No metal parts		Including metal plate with threaded rod		Including metal plate with socket		Dimensions		
	Article number	Order no. 0736.010-	Article number	Order no. 0736.020-	Article number	Order no. 0736.030-	D _a [mm]	h [mm]	Colour
1,3	6131-1,3	00001	6132-1,3	00001	6133 -1,3	00001	60	28.5	blue
2,5	6131-2,5	00002	6132-2,5	00002	6133 -2,5	00002	74	35	yellow
4,0	6131-4,0	00003	6132-4,0	00003	6133 -4,0	00003	94	44.5	black
5,0	6131-5,0	00004	6132-5,0	00004	6133 -5,0	00005	94	44	black
7,5	6131-7,5	00005	6132-7,5	00005	6133 -7,5	00006	118	55.5	red
10,0	6131-10,0	00006	6132- 10,0	00006	6133 -10,0	00007	118	55	yellow
15,0	6131-15,0	00007	6132- 15,0	00007	6133 -15,0	00008	160	75.5	grey
20,0	6131-20,0	00008	6132- 20,0	00008	6133 -20,0	00004	160	75	black
32,0/45,0	6131-32,0	00009	6132- 32,0	00009	6133 -32,0	00009	214	100	black

Rubber recess former, narrow										
Load class	No metal parts		Including metal plate with threaded rod		Including metal plate with socket		Dimensions			
	Article number	Order no. 0736.060-	Article number	Order no. 0736.070-	Article number	Order no. 0736.080-	D _a [mm]	D _b [mm]	h [mm]	Colour
1,3	6137-1,3	00001	6138-1,3	00001	6145-1,3	00001	62	42	28.5	blue
2,5	6137-2,5	00002	6138-2,5	00002	6145-2,5	00002	77	52	35	yellow
4,0	6137-5,0	00004	6138-5,0	00004	6145-5,0	00004	97	69	44.5	black
5,0									44	
7,5	6137-7,5	00005	6138-7,5	00005	6145-7,5	00005	122	85	55.5	red
10,0	6137-10,0	00006	6138-10,0	00006	6145-10,0	00006	122	85	55	yellow
15,0	6137-15,0	00007	6138-15,0	00007	6145-15,0	00007	164	124	75.5	grey
20,0	6137-20,0	00008	6138-20,0	00008	6145-20,0	00008	164	124	75	black

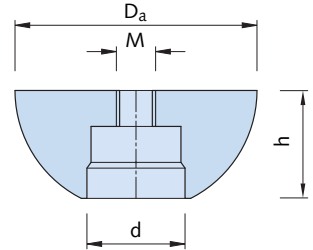
DEHA SPHERICAL HEAD LIFTING ANCHOR SYSTEM

Steel Recess Formers

Steel recess former, round



Steel recess formers with a rubber grommet are used if it is not possible to remove the recess formers before striking the formwork.



Steel recess former, round

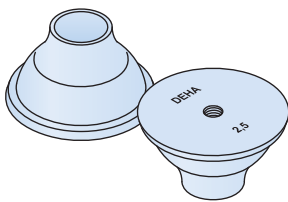
Load class	Article number	Order no. 0736.100-	D _a [mm]	h [mm]	M [mm]	d [mm]	Matching rubber grommet	
							Article number	Order no. 0737.060-
1,3	6150-1,3	00001	60	27.5	8	20.5	6151-1,3	00001
2,5	6150-2,5	00002	74	33	12	30.0	6151-2,5	00002
5,0	6150-5,0	00003	94	42	12	38.0	6151-5,0	00003

Place the rubber grommet on the anchor shaft. The head of the anchor with the grommet attached is pushed into the recess former. The rubber grommet is pushed into the recess former until it is flush.

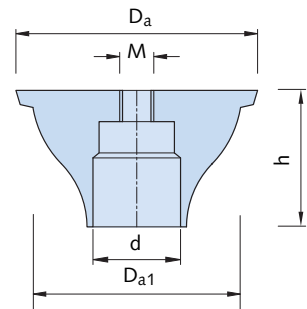
Apply formwork lubricant to the anchor head and the grommet before installation. When the precast element is removed from the formwork the grommet will slide out of the fixed recess former with ease.

If the transport anchor is installed in the horizontal, precautions must be taken to avoid it moving when compacting the concrete (e.g. secure the anchor to the reinforcement or wedge in place with spacers).

Trumpet steel recess former



The trumpet steel recess former with rubber grommet is a variation of the recess former as described above.



Trumpet steel recess former

Load class	Article number	Order no. 0736.120-	D _a [mm]	D _{a1} [mm]	h [mm]	M [mm]	d [mm]	Matching rubber grommet		
								Article number	Order no. 0737.070-	Order no. 0737.060-
1,3	6152-1,3	00001	68	59	40	8	20.5	6151-1,3 D	00001	-
								2 × 6151-1,3	-	00001
2,5	6152-2,5	00002	85	73	48	12	30.0	6151-2,5 D	00002	-
								2 × 6151-2,5	-	00002
4,0 and 5,0	6152-5,0	00003	107	93	56	12	38.0	6151-4,0 D	00003	-
								2 × 6151-5,0	-	00003

The increased length in the recess former means the anchor can be subjected to higher loads during the concrete pour.

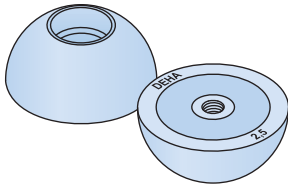
Transport anchors subjected to loads vertical to their longitudinal axis during the concrete pour are installed using this type of recess former.

Double height rubber grommet or two standard height grommets are used in this recess former.

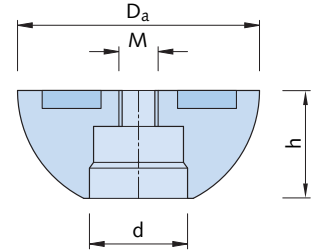
DEHA SPHERICAL HEAD LIFTING ANCHOR SYSTEM

Recess Formers

Magnetic, steel, round recess former



Magnetic steel recess formers are used in metal formwork when drilling is not an option.



Magnetic, steel, round recess former

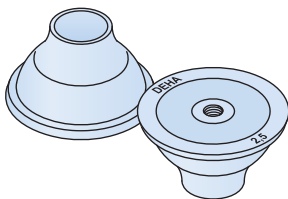
Load class	Article number	Order no. 0736.110-	D _a [mm]	h [mm]	M [mm]	d [mm]	Matching rubber grommet	
							Article number	Order no. 0737.060-
1,3	6150-1,3 M	00001	60	27.5	8	20.5	6151-1,3	00001
2,5	6150-2,5 M	00002	74	33	12	30.0	6151-2,5	00002
5,0	6150-5,0 M	00003	94	42	12	38.0	6151-5,0	00003

Magnetic recess formers are available for use with steel formwork, no drilling is required.

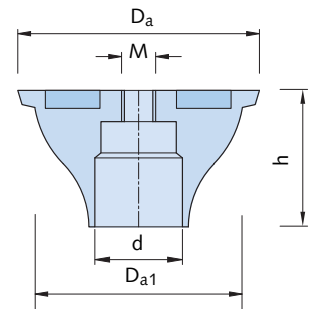
The recess former stays fixed to the formwork when striking the formwork.

The rubber grommet has to be removed from the transport anchor before lifting.

Magnetic, steel, trumpet shape recess former



If the concrete is poured vertically to the axis of the transport anchor the trumpet shaped recess former with increased anchor grip can be used.



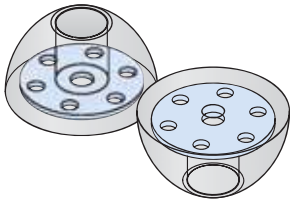
Magnetic, steel, trumpet shape recess former

Load class	Article number	Order no. 0736.130-	D _a [mm]	D _{a1} [mm]	h [mm]	M [mm]	d [mm]	Matching rubber grommet		
								Article number	Order no. 0737.070-	Order no. 0737.060-
1,3	6152-1,3 M	00001	68	59	40	8	20.5	6151-1,3 D	00001	-
								2 × 6151-1,3	-	00001
2,5	6152-2,5 M	00002	85	73	48	12	30.0	6151-2,5 D	00002	-
								2 × 6151-2,5	-	00002
4,0	6152-5,0 M	00003	107	93	56	12	38.0	6151-4,0 D	00003	-
								2 × 6151-5,0	-	00003
5,0	6152-7,5 M	00005	134	117	77	16	48.5	6151-7,5 D	-	00004
								2 × 6151-7,5	00004	-
7,5 and 10,0	6152-7,5 M	00005	134	117	77	16	48.5	2 × 6151-10,0	-	00005

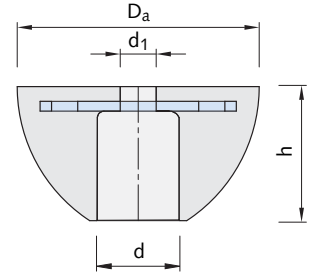
DEHA SPHERICAL HEAD LIFTING ANCHOR SYSTEM

Recess Formers

Polyurethane recess former for quick installation anchor



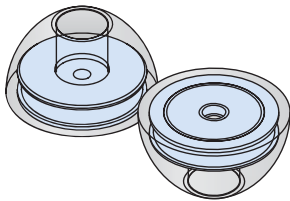
An especially durable recess former allows quick installation of the DSM Anchor; the recess former is attached to the formwork with a fixing screw.



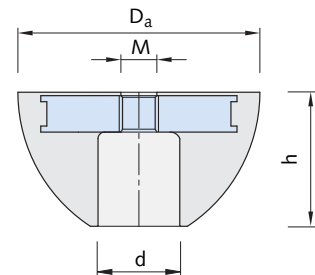
Polyurethane recess former

Load class	Article number	Order no. 0736.170-	D _a [mm]	h [mm]	d ₁ / for M [mm]	d [mm]	Colour
1,3	6127-1,3	00001	60	33	10 / 8	18	transparent
2,5	6127-2,5	00002	74	41	12 / 10	25	
5,0	6127-5,0	00003	94	53	13 / 12	36	

Magnetic polyurethane recess former for quick installation anchor



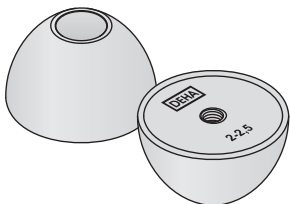
An especially durable recess former to fix the quick installation DSM Anchor to steel formwork; specially shaped to the dimensions of the quick installation anchor.



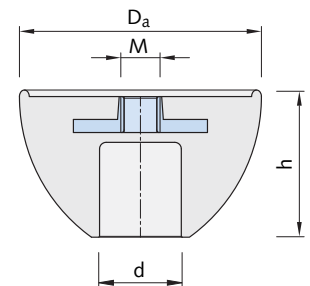
Polyurethane recess former with magnet

Load class	Article number	Order no. 0736.190-	D _a [mm]	h [mm]	M	d [mm]	Colour
1,3	6126-1,3	00001	60	33	8	18	transparent
2,5	6126-2,5	00002	74	41	12	25	
5,0	6126-5,0	00003	94	53	12	36	

Rubber recess former for quick installation anchor with threaded plate



Hard rubber recess former, the quick installation DSM Anchor; this recess former is attached to the formwork with a fixing screw.



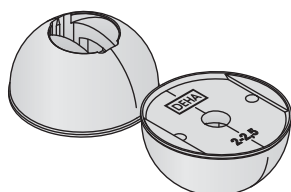
Rubber recess former

Load class	Article number	Order no. 0736.140-	D _a [mm]	h [mm]	M [mm]	d [mm]	Colour
1,3	6128-1,3	00002	60	35	8	18	blue
2,5	6128-2,5	00001	74	45	12	25	yellow

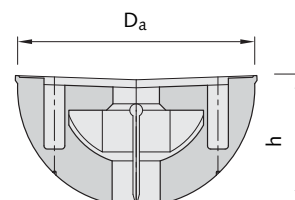
DEHA SPHERICAL HEAD LIFTING ANCHOR SYSTEM

Recess Formers and Recess Fillers

Rubber recess former for pitching anchor



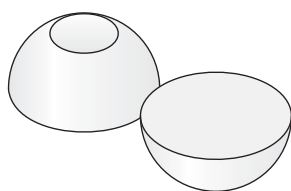
This former was specially developed for the spherical head pitching anchor (article number 6006). They can be used repeatedly. The recess formers are colour coded to allow easy identification of different load classes.



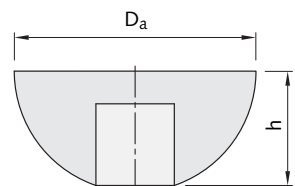
Rubber recess former for pitching anchor

Load class	Article number	Order no. 0736.150-	D _a [mm]	h [mm]	Colour	Matching plate
2,5	6134-2,5	00001	74	35	yellow	6141-2,0/2,5
5,0	6134-5,0	00002	102	44	blue	6141-4,0/5,0

Recess filler

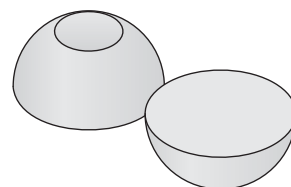


Polystyrene recess/void fillers are available for load classes 1,3 to 20,0 to seal the recess in concrete to protect against water and ice.

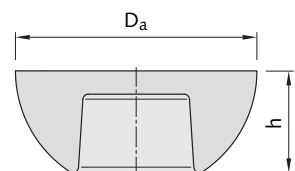


Recess filler, polystyrene

Load class	Article number	Order no. 0737.010-	D _a [mm]	h [mm]	Colour
1,3	6015- 1,3	00001	60	29	white
2,5	6015- 2,5	00002	74	35	
4,0 and 5,0	6015- 5,0	00003	94	44	
7,5 and 10,0	6015-10,0	00004	118	55	
15,0 and 20,0	6015-20,0	00005	160	72	



Fibre reinforced concrete recess formers are available to permanently seal recesses. These are fixed in place with quick-set mortar. Recess formers are available for load classes 7,5 to 45,0.



Concrete recess filler

Load class	Article number	Order no. 0737.120-	D _a [mm]	h [mm]	Colour
7,5 and 10,0	6172-10,0	00001	114	48	concrete grey
15,0 and 20,0	6172-20,0	00002	156	65	
32,0 and 45,0	6172-45,0	00003	210	85	

Watertight up to 5 bar if applied with a suitable watertight mortar. We recommend Carbolan® or CarboPast (by Minova CarboTech). Where demands on watertightness are lower use quick-action mortar or adhesive in accordance with the manufacturer's instructions.

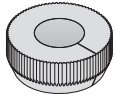
DEHA SPHERICAL HEAD LIFTING ANCHOR SYSTEM

Accessories for Recess Fillers

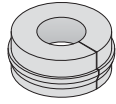
Rubber grommet for steel recess former

6151-load class

6151-load class D



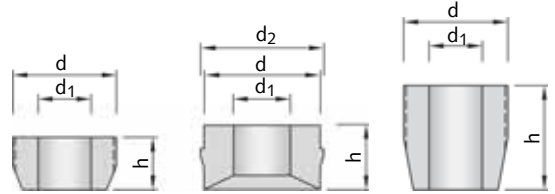
Load class
1,3-5,0



Load class
7,5-10,0



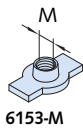
Rubber grommet for steel recess former 6150 and steel recess former 6152 to secure the anchor in the recess former.



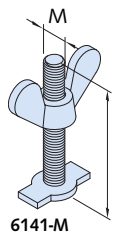
Rubber grommet

Load class	Article number Rubber grommet	Order no. 0737.060-	Article number Double rubber grommet	Order no. 0737.070-	d	d ₁	d ₂	h
1,3	6151-1,3	00001	-	-	21.5	11.0	-	11.0
	-	-	6151-1,3 D	00001				22.0
2,5	6151-2,5	00002	-	-	30.5	14.5	-	12.0
	-	-	6151-2,5 D	00002				25.0
4,0	-	-	6151-4,0 D	00003	38.5	19.0	-	28.0
5,0	6151-5,0	00003	-	-		21.0	-	14.0
7,5	6151-7,5	00004	-	-	49.0	24.0	52.0	27.5
	-	-	6151-7,5 D	00004		24.5	-	44.5
10,0	6151-10,0	00005	-	-	28.0	52.0	27.5	

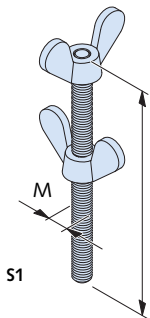
Fixing accessories for rubber recess formers



6153-M



6141-M



S1

Various versions of threaded plates are used to attach the rubber recess formers to the formwork. If the formwork can be removed in the axial direction of the threaded bar, use the plates with a welded threaded rod and wingnut (6141-M).

If the formwork can only be removed perpendicular to the threaded bar, the plates with a threaded socket should be used (6153-M). Remove the fixing screw before striking the formwork.

Plate with threaded rod and wingnut

Article number	Order no. 0737.020-	Thread M	l [mm]	For load class (Art. number 6131, round)	For load class (Art. number 6137, narrow)
6141- 1,3	00001	8	66	1,3	1,3
6141- 2,5	00002	12	87	2,5	2,5
6141- 5,0	00003	12	87	4,0 and 5,0	4,0 and 5,0
6141-10,0	00004	12	87	7,5 and 10,0	7,5 and 10,0
6141-20,0	00005	12	87	15,0 and 20,0	15,0 and 20,0
6151,32,0	00006	16	100	32,0	-

Plate with socket

Article number	Order no. 0737.040-	Thread M	For load class (Article number 6131, round)	For load class (Article number 6137, narrow)
6153- 1,3	00001	8	1,3	1,3
6153- 2,5	00002	12	2,5	2,5
6153- 5,0	00003	12	4,0 and 5,0	4,0 and 5,0
6153-10,0	00004	12	7,5 and 10,0	7,5 and 10,0
6153-20,0	00005	16	15,0 and 20,0	15,0 and 20,0
6153-32,0	00006	16	32,0	-

Holding bolt with wingnut

Article number	Order no. 0037.060-	Thread M	l [mm]
S1-M8	00001	M 8	160
S1-M12	00002	M 12	160
S1-M16	00003	M 16	160

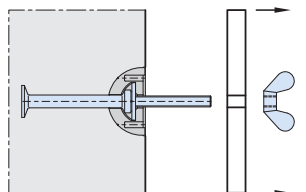


plate with a welded threaded bar

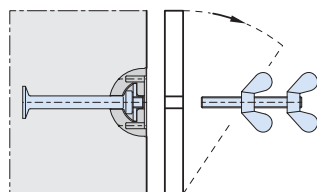
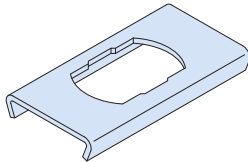


plate with a threaded socket

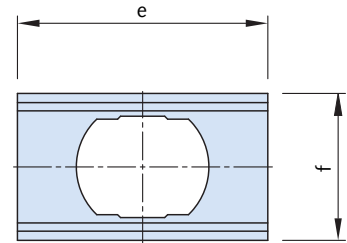
DEHA SPHERICAL HEAD LIFTING ANCHOR SYSTEM

Accessories for Recess Fillers

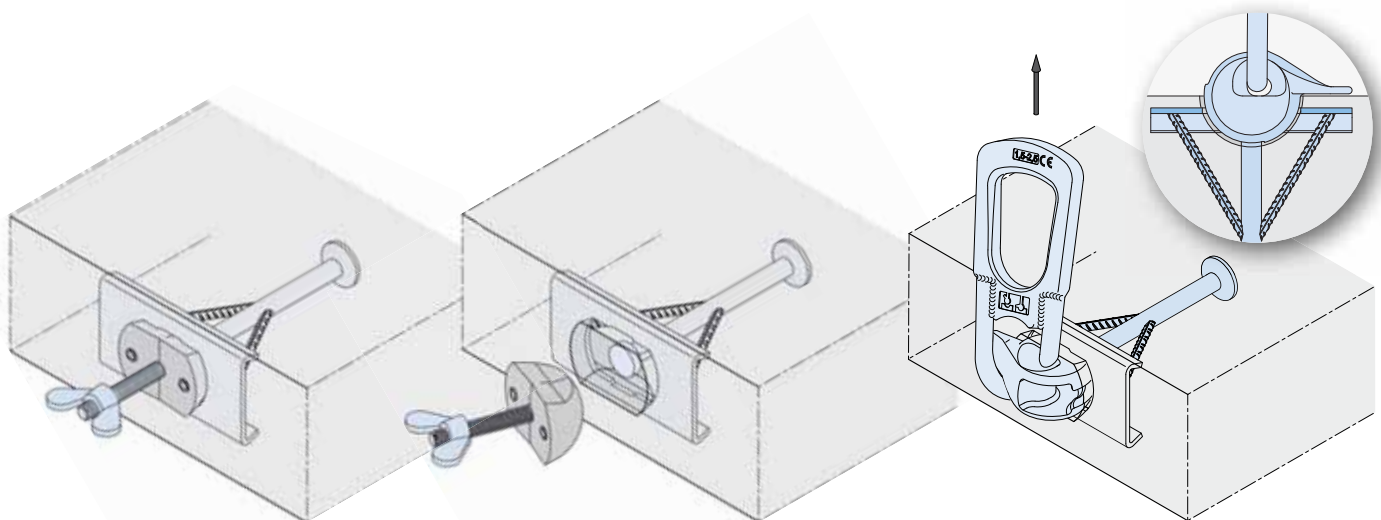
Pitching plate



A steel pitching plate is required to avoid concrete spalling when lifting or pitching horizontally cast thin wall and ceiling slabs to the vertical.



Pitching plate					
Load class	Article number	Order no. 0737.050-	e [mm]	f [mm]	Element thickness $2 \times e_r$ [mm]
1,3	6060-1,3	00001	120	65	≥ 95



Insert the anchor into the narrow rubber recess former and insert both in the hole in the pitching plate. The narrow recess former and the attached metal parts are fixed to the formwork. Ensure that the pitching (tilting) plate is securely fastened and cannot be dislodged from the recess former by other reinforcement, or when pouring and compacting the concrete.

If necessary tack weld retaining bars to the anchor and pitching plate to secure in place. Only use a universal head lifting anchor to transport or tilt pre-cast elements with installed spherical head anchors with pitching plates. When using a universal head lifting anchor to lift, the lifting head rests against the pitching plate to ensure the concrete is not subjected to excess load.

This is an essential advantage compared to other reinforcement. The pitching plates have the required concrete cover and therefore sufficient corrosion protection, when installed as specified in the instructions.

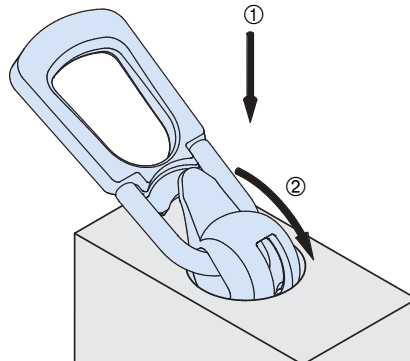
DEHA SPHERICAL HEAD LIFTING ANCHOR SYSTEM

Operating the Universal Head Lifting Link

Using the universal lifting link

Check the load capacity of the anchor against the lifting link.

- ① To engage; the ball is pushed with the opening facing downward over the anchor.
- ② Then rotate the tongue on the ball away from the lifting link towards the surface of the concrete. The universal lifting head is now secured and is ready for use.



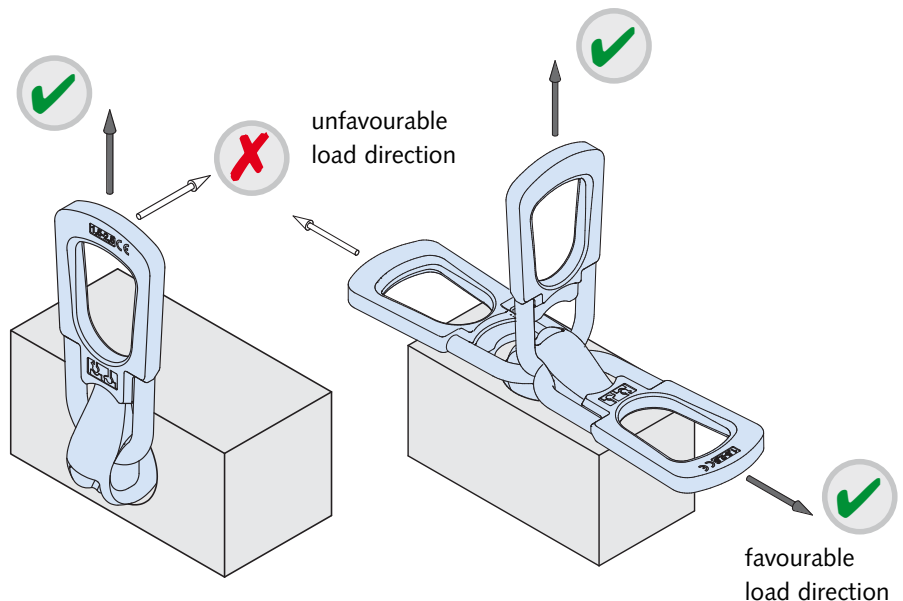
⚠ Turning is limited when the lifting link is under load.

Lifting

All rotation, tilt and swivel movements shown are allowed with the universal head lifting link. If subjected to diagonal load the position of the tongue is not critical.

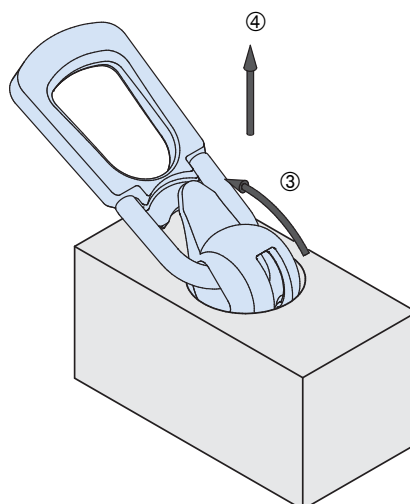
If the universal lifting head is used for rotating and up-righting precast concrete elements, the position of the shackle must be as in the illustration on the left.

The ball is always kept in the correct position and counterweighted by the tongue, even in a nonloaded state.



Disengaging

To disengage the lifting link, lower the lifting head ③ and swivel the ball ④ upward.



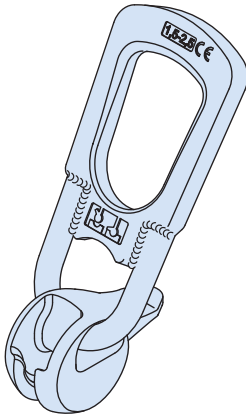
Assembly instruction

The installation and the assembly instructions must be readily available on site, i.e. in the precast plant or on the construction site. The plant or site manager must ensure the operator has read and understood the installation and assembly instructions for this system. Universal lifting links must be inspected by a qualified expert at least once a year. These inspections must be documented and record kept (see also page 51).

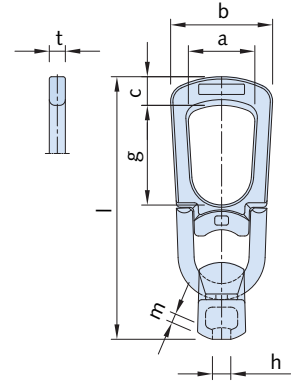
DEHA SPHERICAL HEAD LIFTING ANCHOR SYSTEM

Lifting Links

Universal head lifting link



The DEHA Universal head lifting link is used for lifting and transporting precast concrete elements with cast in spherical head anchors. The universal head lifting link is a manual-release link. The universal head links currently available are Chrom-6-free zinc galvanized.



Before each use visually check all lifting equipment for correct application and damage-free condition.

It is prohibited to use damaged lifting equipment.

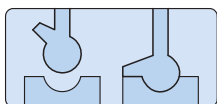
Allowable loads for each particular case can be found in the respective tables. In general the safety regulations in the country of use are to be observed, in particular those for the use of cranes and lifting equipment.

Dimensions of universal head lifting link

Load class	Article number	Order no. 0738.010-	Weight [kg]	a [mm]	b [mm]	c [mm]	g [mm]	h [mm]	t [mm]	l [mm]	m [mm]
1,3	6102-1,3	00001	0.9	47	75	20	71	11	12	188	7.0
2,5	6102-2,5	00002	1.4	59	91	25	86	16	14	230	8.5
4,0 and 5,0	6102-5,0	00003	3.4	70	118	37	88	21	16	283	10.0
7,5 and 10,0	6102-10,0	00004	9.1	88	160	50	115	30	25	401	14.0
15,0 and 20,0	6102-20,0	00005	21.0	106	180	75	135	41	30	506	21.0
32,0	6102-32,0	00006	47.0	172	272	100	189	52	40	680	28.5
45,0	6102-45,0	00007	59.0	179	349	100	192	52	40	676	28.5

Identification

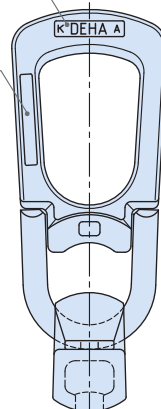
Each universal head lifting link is identified as shown: the name of the manufacturer (DEHA) is stamped into the handle together with the application identifier K-A and the unique anchor number. The load class, the CE mark and an operating symbol can be found on the rear of the handle.



The ball is marked with the batch number and year of manufacture.

Manufacturer
Type K-A

Identification
number



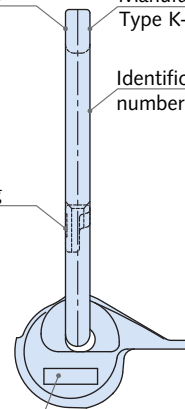
Load class
CE-mark

Manufacturer
Type K-A

Identification
number

Operating
icon

Batch no.
Year of manufacture



The application identifier K-A denotes that the universal head lifting link can be used for the following two DEHA Lifting anchor systems:

- for the DEHA Lifting anchor system type **K** with the spherical head anchor
- for the DEHA Lifting anchor system type **A** with an appropriate cast-in socket and adaptor

DEHA SPHERICAL HEAD LIFTING ANCHOR SYSTEM

Lifting Links

Safety inspection for universal head lifting links

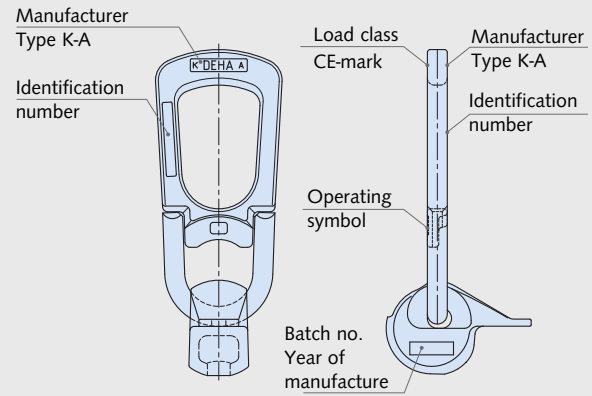
Annual inspection made easy

Each HALFEN Lifting link ordered has a unique identification number. The unique number correctly identifies the lifting link and helps to ensure each unit is checked for operational safety at regular intervals.

The following options are available when ordering:

- A certificate that confirms that all guidelines and quality controlled manufacture are observed; also includes type of lifting link, the identification number and an inspection table
- In addition to the certificate a written report confirming the lifting link was tested to twice its nominal load capacity

Please see our current price list for order numbers.



As with all lifting links, the universal head lifting links must be checked by suitably trained personnel at least once a year to ensure they are in a safe, usable condition. There is no pre-defined life expectancy for universal head lifting links.

We strongly advise against using HALFEN products with non-HALFEN products.

When checking the universal head lifting links for damage, the following points should be observed:

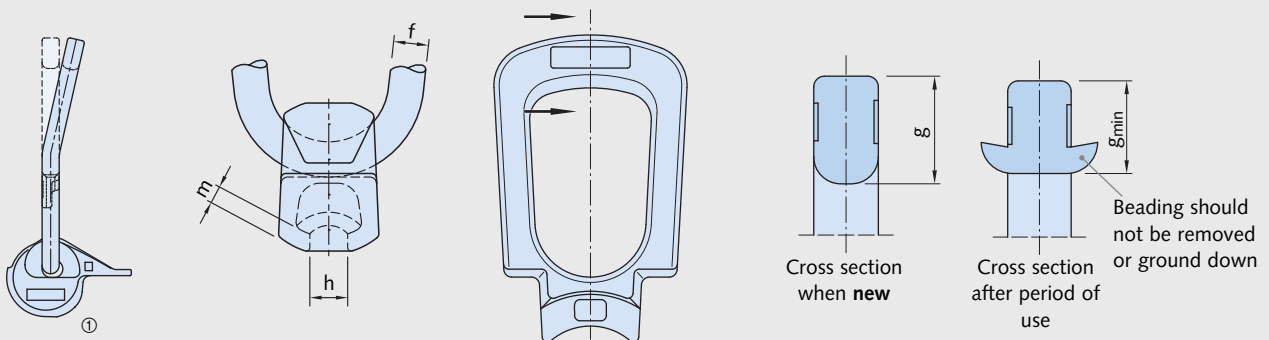
Special attention should be paid to any deformation and to general wear and tear. The identification on the link must always be legible. If the wear limits stated in the table are not met, then further use of the universal head is not permitted.

Tolerances for the universal head lifting link

Wear limits for the lip thickness "m" and hole size for "h" [mm]

Load class	1,0 to 1,3	1,5 to 2,5	3,0 to 5,0	6,0 to 10,0	12,0 to 20,0	32,0	45,0
m_{min}	5.5	6.0	8.0	12.0	18.0	24.0	24.0
h_{max}	13.0	18.0	24.5	32.5	47.5	58.0	58.0

	Wear limits for minimum link diameter "g" and chain link elongation "f" [mm]						
g_{min}	14.0	17.5	28.0	36.0	56.0	80.0	85.0
f_{min}	10.5	12.5	18.5	26.0	36.0	40.0	46.0



① It is prohibited to rebend any element damaged by misuse. Discard the universal head lifting link if there is any significant bending.

DEHA SPHERICAL HEAD LIFTING ANCHOR SYSTEM

DEHA Transport Anchor System for Use in Excavation Projects

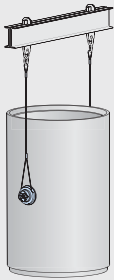
Moving and turning pipes and shafts

A wide range of spherical head anchors in various load classes and lengths ensures a cost effective and safe solution for nearly all pipe and shaft applications.

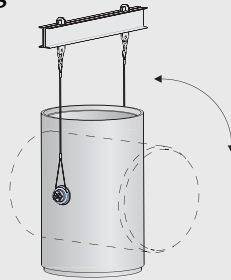
Application example:
Turning large diameter elements is also quick, easy and safe with the turning and lifting link.

In trenches with limited access the pipe laying device is the ideal solution to connect pipes.

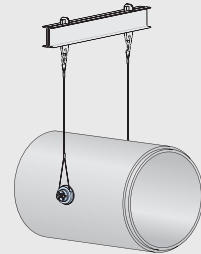
Turning pipes • lifting



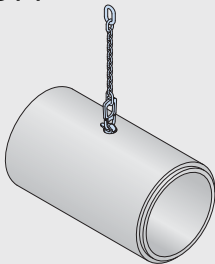
• turning



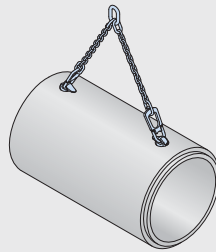
• transporting



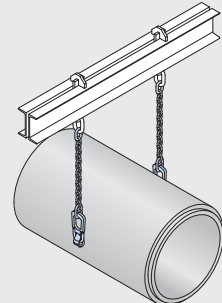
Moving pipes



Moving with one anchor
with low weight:
one anchor in the apex



Moving with two anchors:
two anchors in the apex



Moving with two anchors in the hunches:
installation of the anchors in the hunches

Moving shaft elements



Three or four spherical head transport anchors are used, depending on the size and weight of the element.



The transport anchors can be installed in the pipe wall or in the tongue-end of the pipe.



Detailed information on transport anchor systems (Civil engineering)

can be found in the technical product information HALFEN TT or on our website – scan the code and follow the links to the required document.



DEHA SPHERICAL HEAD LIFTING ANCHOR SYSTEM

DEHA Transport Anchor Systems for Use in Tunnels

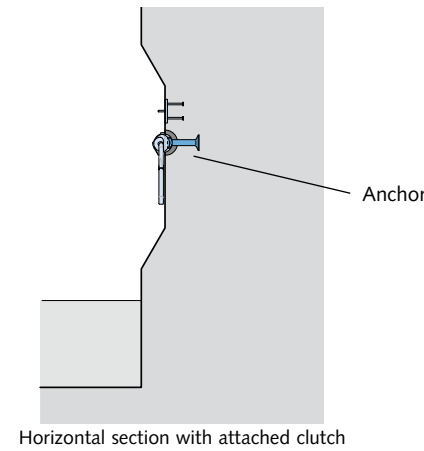
Accident recovery units in road tunnels

The accident recovery unit is installed as a precautionary measure in road tunnels. In the event of an accident crashed vehicles can be effectively and quickly recovered.

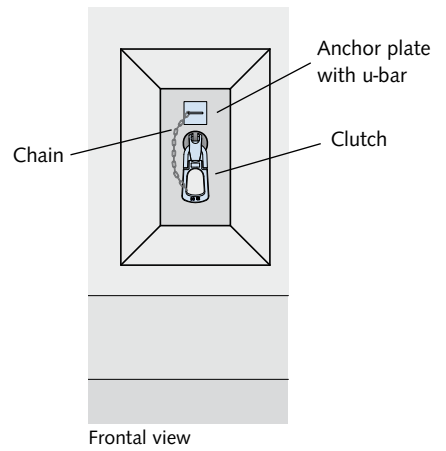
Increasingly, emergency and accident recovery services demand that suitable accident recovery units are installed every 100 metres in suitable recesses in tunnel walls.



The HALFEN Recovery anchor system is a cast-in stainless steel spherical head anchor, load class 20,0 on which a freely pivoting standard lifting link is attached. The lifting link is similar to the type used for moving precast concrete elements.



A securing bolt is provided to prevent unintentional removal of the lifting link.



Tender text for the accident recovery anchor unit

Deliver and install a load class 20,0, spherical head transport anchor

Deliver and install a load class 20,0 spherical head transport anchor, length 170 mm, in stainless steel A4 1.4571/1.4404 with reinforcement.

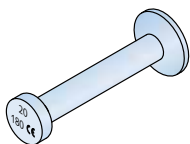
Additional on-site reinforcement is not included. Construct a recess with a back surface area of 60 cm × 120 cm, 20 cm deep with side surfaces at a slant of 30°.

Insert the spherical head anchor in a round recess former and secure both to the formwork. Secure the recess former to the formwork with the treaded rod (included with delivery).

Place reinforcement around the recess former around the anchor head.

Reference projects are required from the manufacturer when using the spherical head anchor as an accident recovery unit in tunnels.

All elements in the system must be from one manufacturer.



Deliver and install a load class 20,0, universal head clutch

Deliver and install a load class 20,0, zinc galvanized, universal head clutch. The clutch is attached to the spherical head anchor after striking the formwork.

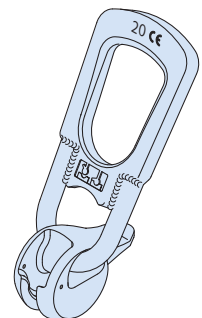
The universal head clutch load class 20,0 is identified with a permanent unique identification number to facilitate annual safety checks.

The clutch is fitted with a device – by the manufacturer – to prevent unintentional release of the clutch from the anchor.

A chain fixed with a dowel (with an external thread) and a ring bolt to prevent theft of the recovery anchor is installed.

Reference projects are required from the manufacturer when using the spherical head anchor as an accident recovery unit in tunnels.

All elements in the system must be from one manufacturer.



DEHA SPHERICAL HEAD LIFTING ANCHOR SYSTEM

DEHA Transport Anchor Systems for Use in Tunnels

Overhead application of spherical head anchors

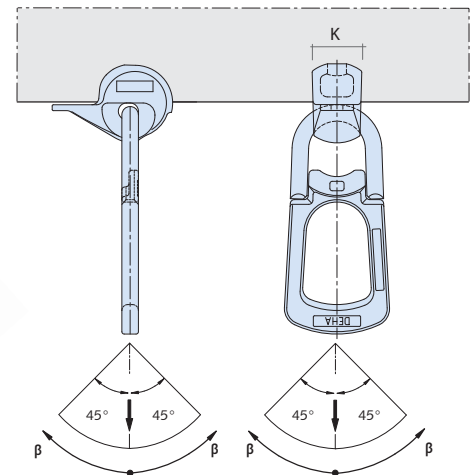
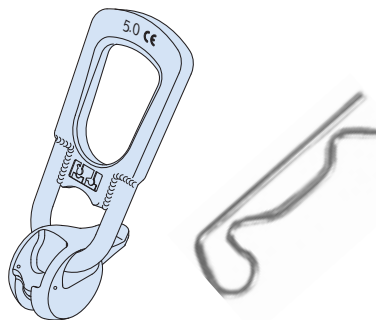


Typical setup for an overhead anchor system
Multiple anchors used together to lift heavy equipment



Transport anchors can be cast in to the roof to facilitate installation and to secure heavy equipment for maintenance. A universal lifting head is attached for installation. A chain or cable is passed through the attached link. The universal lifting head link has a hole through which a safety clip can be inserted (safety clips available as a standard item). This ensures the link is held securely in place.

A maximum diagonal angle of 45° must not be exceeded when subjecting the lifting head to load.



Always observe local safety regulations when lifting heavy objects!

Never, under any circumstances, should anyone walk under temporarily suspended objects!

Load capacities for overhead lifting

Load class	Article number	Order no. 0738.210-	Max. load capacity [kN]	Head width K [mm]
2,5	6105-2,5	00001	16.5	42.0
5,0	6105-5,0	00001	32.5	57.0
10,0	6105-10,0	00001	65.0	74.0
20,0	6105-20,0	00001	130.0	113.0

DEHA SPHERICAL HEAD LIFTING ANCHOR SYSTEM

Further HALFEN Products

DEHA Lift assembly set

The HALFEN Lift assembly set is used to facilitate the installation of lifts and lift components. After initial installation the HALFEN Lift-set-box is perfect for upgrade and maintenance work.

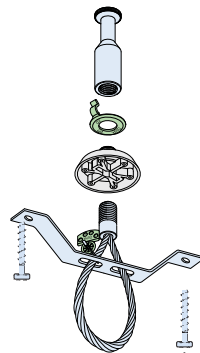
The pre-assembled box can be installed in machine rooms and in shaft heads, where required, to lift and install heavy components.

This system allows exact positioning of the drive motor in the machine room. The system can also be used for initial installation of guide rails and other heavy lift components in the lift shaft.

The HALFEN Lift-assembly-set consists of a cable loop, which is held in place with a safety bracket. The bracket is bolted to the ceiling with HALFEN

Concrete bolts to prevent the cable loop from turning and loosening from the ceiling. This guarantees maximum safety when working in the lift shaft. The system has been used by renowned lift manufacturers for many years and provides the advantages of convenient assembly as well as being safety and time-efficient.

Lift assembly set			
Axial load capacity [kN]	Article name	Order no. 0742.	
5.0	DLM-RD 12	200-00001	
12.0	DLM-RD 16	200-00002	
20.0	DLM-RD 20	200-00003	
25.0	DLM-RD 24	200-00004	
40.0	DLM-RD 20HD	200-00005	



Cable loop with securing bracket (5.0 - 25.0 kN)



Cable loop installed in a lift shaft

HALFEN 6180 Spherical head locking cover

HALFEN 6180 Locking covers are intended for installation in slabs which are designed for subsequent traffic loads. The stainless steel locking cover is installed together with a stainless steel spherical head anchor. This is a surface flush cover; if the anchor is required for lifting, the inner plate can be removed and the lifting clutch attached.



The stainless steel locking cover is only available as a set and is assembled by the customer. The cover is installed in the top surface of the slab. The stainless steel spherical head anchor is ordered separately.

Dimensions - HALFEN 6180 Spherical head locking cover				
Load class	Article number	Ø Ring plate [mm]	Ø Cover plate [mm]	Height Ring plate incl. anchor [mm]
1,3	0737.160-00001	141	80.5	75
2,5	0737.160-00002	175	94.5	75
4,0/5,0	0737.160-00003	195	114.5	75
Material: 1.4571(A4)				

CONTACT HALFEN WORLDWIDE

HALFEN is represented by subsidiaries in the following countries, please contact us!

Austria	HALFEN Gesellschaft m.b.H. Leonard-Bernstein-Str. 10 1220 Wien	Phone: +43-1-259 6770 E-Mail: office@halfen.at Internet: www.halfen.at	Fax: +43-1-259-677099
Belgium / Luxembourg	HALFEN N.V. Borkelstraat 131 2900 Schoten	Phone: +32-3-658 07 20 E-Mail: info@halfen.be Internet: www.halfen.be	Fax: +32-3-658 15 33
China	HALFEN Construction Accessories Distribution Co.Ltd. Room 601 Tower D, Vantone Centre No. A6 Chao Yang Men Wai Street Chaoyang District Beijing · P.R. China 100020	Phone: +86-10 5907 3200 E-Mail: info@halfen.cn Internet: www.halfen.cn	Fax: +86-10 5907 3218
Czech Republic	HALFEN s.r.o. Business Center Šafránkova Šafránkova 1238/1 155 00 Praha 5	Phone: +420 - 311-690 060 E-Mail: info@halfen-deha.cz Internet: www.halfen-deha.cz	Fax: +420-235-314 308
France	HALFEN S.A.S. 18, rue Goubet 75019 Paris	Phone: +33-1- 445231 00 E-Mail: halfen@halfen.fr Internet: www.halfen.fr	Fax: +33-1-44523152
Germany	HALFEN Vertriebsgesellschaft mbH Liebigstr. 14 40764 Langenfeld	Phone: +49-2173-970-0 E-Mail: info@halfen.de Internet: www.halfen.de	Fax: +49-2173-970 225
Italy	HALFEN S.r.l. Soc. Unipersonale Via F.lli Bronzetti N° 28 24124 Bergamo	Phone: +39-035-0760711 E-Mail: tecnico@halfen.it Internet: www.halfen.it	Fax: +39-035-0760799
Netherlands	HALFEN b.v. Oostermaat 3 7623 CS Borne	Phone: +31-74-267 14 49 E-Mail: info@halfen.nl Internet: www.halfen.nl	Fax: +31-74-267 26 59
Norway	HALFEN AS Postboks 2080 4095 Stavanger	Phone: +47-51 82 34 00 E-Mail: post@halfen.no Internet: www.halfen.no	Fax: +47-51 82 34 01
Poland	HALFEN Sp. z o.o. Ul. Obornicka 287 60-691 Poznan	Phone: +48-61-622 14 14 E-Mail: info@halfen.pl Internet: www.halfen.pl	Fax: +48-61-622 14 15
Spain	HALFEN Spain PLAKABETON S.L. Polígono Industrial Santa Ana c/ Ignacio Zuloaga 20 28522 Rivas-Vaciamadrid	Phone: +34 916 669 181 E-Mail: info@halfen.es Internet: www.halfen.es	Fax: +34 916 669 661
Sweden	Halfen AB Vädursgatan 5 412 50 Göteborg	Phone: +46-31-98 58 00 E-Mail: info@halfen.se Internet: www.halfen.se	Fax: +46-31-98 58 01
Switzerland	HALFEN Swiss AG Hertistrasse 25 8304 Wallisellen	Phone: +41-44-849 78 78 E-Mail: info@halfen.ch Internet: www.halfen.ch	Fax: +41-44-849 78 79
United Kingdom/ Ireland	HALFEN Ltd. A1/A2 Portland Close Houghton Regis LU5 5AW	Phone: +44 -1582- 47 03 00 E-Mail: info@halfen.co.uk Internet: www.halfen.co.uk	Fax: +44-1582-47 03 04
United States of America	HALFEN USA Inc. PO Box 18687 San Antonio TX 78218	Phone: +1 800.423.91 40 E-Mail: info@halfenusa.com Internet: www.halfenusa.com	Fax: +1 877.683.49 10
For countries not listed HALFEN International	HALFEN International GmbH Liebigstr. 14 40764 Langenfeld / Germany	Phone: +49-2173-970-0 E-Mail: info@halfen.com Internet: www.halfen.com	Fax: +49-2173-970-849

Furthermore HALFEN is represented with sales offices and distributors worldwide. Please contact us: www.halfen.com

NOTES REGARDING THIS CATALOGUE

Technical and design changes reserved. The information in this publication is based on state-of-the-art technology at the time of publication. We reserve the right to make technical and design changes at any time. HALFEN GmbH shall not accept liability for the accuracy of the information in this publication or for any printing errors.

The Quality Management System of HALFEN GmbH is certified for the locations in Germany, France, the Netherlands, Austria, Poland, Switzerland and the Czech Republic according to **DIN EN ISO 9001:2015**, Certificate No. 202384-2016-AQ-GER-DAKKS.

